



CUSTOMER: AIR2O
LOCATION: WHOLE FOODS VENICE
DESCRIPTION: DHP-60 DEHUM
JOB NUMBER: 11761

SUPERIOR CONTROL SYSTEMS, INC.
 2406 S. 24TH STREET
 BUILDING C SUITE 120
 PHOENIX, AZ 85034
 O: 480-966-1400
 F: 480-966-1422
 WWW.SUPERIORCONTROL.COM



WHOLE FOODS VENICE - DHP-60
 COVER

This drawing and the information contained herein is the sole property of Superior Control Systems Inc. All ideas are classified confidential and cannot be revealed to anyone without permission of Superior Control Systems Inc. Unauthorized use or reproduction of any part of this drawing is strictly prohibited.

REVISIONS				
NO.	BY	DATE	CKD	REMARKS
0	AFH	2/02/2021	TH	SUBMITTAL
1	AFH	2/03/2021	TH	CONSTRUCTION
1.1	RJK	07/30/2021	XX	CONSTRUCTION - ADDITIONAL COMPRESSORS, RLA CHANGES
1.2	MT	08/02/2021	XX	CONSTRUCTION - ADDITIONAL COMPRESSORS, RLA CHANGES

COPYRIGHT 2021

JOB# 11761

DATE: 7/30/2021

COVER

DRAWING# 11761 AIR2O-WF-VENICE-DHP

DRAWING INDEX	
SHEET #	DESCRIPTION
COVER	COVER
INDEX	DRAWING INDEX
DETAILS	DRAWING DETAILS
BOM	BILL OF MATERIALS
E01	ELEVATION (INSIDE) - PANEL LAYOUT
E02	ELEVATION (INSIDE) - PANEL DETAILS
E03	ELEVATION (INSIDE) - TERMINAL BLOCK/RELAY LAYOUT
LEGEND	SCHEMATIC - LEGEND
S01	SCHEMATIC - 480VAC POWER DISTRIBUTION 1
S02	SCHEMATIC - 480VAC POWER DISTRIBUTION 2
S03	SCHEMATIC - 480VAC POWER DISTRIBUTION 3
S04	SCHEMATIC - 480VAC POWER DISTRIBUTION 4
S05	SCHEMATIC - SPARE SHEET
S06	SCHEMATIC - 120VAC POWER DISTRIBUTION
S07	SCHEMATIC - 24VDC CONTROL POWER
S08	SCHEMATIC - 24VAC CONTROL POWER
S09	SCHEMATIC - PLC CONNECTIONS 1
S10	SCHEMATIC - PLC CONNECTIONS 2
S11	SCHEMATIC - PLC CONNECTIONS 3
S12	SCHEMATIC - PLC CONNECTIONS 4
S13	SCHEMATIC - PLC CONNECTIONS 5
S14	SCHEMATIC - PLC CONNECTIONS 6
S15	SCHEMATIC - PLC CONNECTIONS 7
F01	FIELD CONNECTIONS
F02	FIELD CONNECTIONS

REVISIONS				
NO.	BY	DATE	CHKD	REMARKS
0	AFH	2/02/2021	TH	SUBMITTAL
1	AFH	2/03/2021	TH	CONSTRUCTION
1.1	RJK	07/30/2021	XX	CONSTRUCTION - ADDITIONAL COMPRESSORS, RLA CHANGES
1.2	MT	08/02/2021	XX	CONSTRUCTION - ADDITIONAL COMPRESSORS, RLA CHANGES

WIRE COLOR		
BROWN	12AWG OR BIGGER	480Y/277VAC PHASE A
ORANGE	12AWG OR BIGGER	480Y/277VAC PHASE B
YELLOW	12AWG OR BIGGER	480Y/277VAC PHASE C
GREY	ALL	277VAC NEUTRAL
BLACK	12AWG OR BIGGER	208Y/240Y/120VAC PHASE A
RED	12AWG OR BIGGER	208Y/240Y/120VAC PHASE B
BLUE	12AWG OR BIGGER	208Y/240Y/120VAC PHASE C
BLACK	14AWG OR SMALLER	120VAC SUPPLY POWER
RED	14AWG OR SMALLER	120VAC CONTROL
ORANGE	ALL	+24VAC SUPPLY POWER
WHITE W/ ORANGE	ALL	24VAC NEUTRAL
BLUE W/ WHITE	ALL	+24VAC CONTROL
WHITE	ALL	120 TO 240VAC NEUTRAL
VIOLET	ALL	+24VDC SUPPLY POWER
BLUE	14AWG OR SMALLER	+24VDC CONTROL
WHITE W/ BLUE	ALL	-24VDC
YELLOW	16AWG OR SMALLER	FOREIGN VOLTAGE
GREEN	ALL	GROUND

CIRCUIT BREAKER SCHEDULE				
CB NO.	RATING	CURVE	BRANCH	DESCRIPTION
CB1	2A	C	BRANCH	VOLTAGE MONITORING RELAY
CB2	10A	D	BRANCH	CPT1 TRANSFORMER PRIMARY
CB3	2A	D	BRANCH	CPT2 TRANSFORMER PRIMARY
CB4	20A	D	BRANCH	CPT1 TRANSFORMER SECONDARY
CB5	5A	D	BRANCH	GAS HEATER
CB6	5A	D	SUPPLEMENTARY	PS1 DC SUPPLY PRIMARY/MOTOR STARTER COILS
CB7	15A	D	BRANCH	GFCI RECEPTACLE
CB8	10A	D	BRANCH	PS1 DC SUPPLY OUTPUT
CB9	20A	D	BRANCH	CPT2 TRANSFORMER SECONDARY
CB10	5A	D	SUPPLEMENTARY	CONTROL POWER
CB11	5A	D	SUPPLEMENTARY	CONTROL POWER
CB12	5A	D	SUPPLEMENTARY	CONTROL POWER

UL INFORMATION CIRCUIT A	
MAX VOLTAGE	480VAC
PHASE	3PH
CABINET TYPE	OPEN
TOTAL FLA	88.9
LARGEST FLA	12.80A
SCCR	10kA

FABRICATION DETAILS	
DOOR LABELS	DECALS
WIRE LABELS	SHRINK
WIRE FERRULES	SHOP STANDARD
HARDWARE	STANDARD / PLASTIC
SPECIAL INSTRUCTIONS: DIN RAIL, WIREWAY LABELS, ETC	

REVISIONS				
NO.	BY	DATE	CHKD	REMARKS
0	AFH	2/02/2021	TH	SUBMITTAL
1	AFH	2/03/2021	TH	CONSTRUCTION
1.1	RJK	07/30/2021	XX	CONSTRUCTION - ADDITIONAL COMPRESSORS, RLA CHANGES
1.2	MT	08/02/2021	XX	CONSTRUCTION - ADDITIONAL COMPRESSORS, RLA CHANGES

ITEM	QTY	P/N	MANUF.	DESC.	NOTES
1	180.0	3211786	PHOENIX CONTACT	DOUBLE-LEVEL TERMINAL BLOCK, CONNECTION METHOD: PUSH-IN CONNECTION	
2	11.0	3030482	PHOENIX CONTACT	D-STT B 4 END COVER	
3	11.0	0828746	PHOENIX CONTACT	MARKER FOR TERMINAL BLOCKS - UCT-TMF 6 (60 PER SHEET)	
4	20.0	3030271	PHOENIX CONTACT	10-POLE JUMPER FOR 30A STANDARD	
5	25.0	3022276	PHOENIX CONTACT	CLIPFIX QUICK MOUNTING END BRACKET L 48.5 X W 5.5 X H 35MM GRAY	
6					
7	4.0	FAZ-D5-1-SP	EATON	5A SUPPLEMENTARY CIRCUIT BREAKER 1 POLE D-CURVE	PS1 PRIMARY & FIELD (AC/DC)
8	1.0	FAZ-D10-1-NA-SP	EATON	10A BRANCH CIRCUIT BREAKER 1 POLE D-CURVE	PS1 SECONDARY
9	1.0	FAZ-D15-1-NA-SP	EATON	15A BRANCH CIRCUIT BREAKER 1 POLE D-CURVE	GFCI RECEPTACLE
10	2.0	FAZ-D20-1-NA-SP	EATON	20A BRANCH CIRCUIT BREAKER 1 POLE D-CURVE	CPT1 SECONDARY & CPT2 SECONDARY
11	1.0	FAZ-D5-1-NA-SP	EATON	5A BRANCH CIRCUIT BREAKER 1 POLE D-CURVE	GAS HEATER
12	1.0	FAZ-D2-2-NA	EATON	2A BRANCH CIRCUIT BREAKER 2 POLE D-CURVE	CPT2 PRIMARY
13	1.0	FAZ-D10-2-NA	EATON	10A BRANCH CIRCUIT BREAKER 2 POLE D-CURVE	CPT1 PRIMARY
14	1.0	FAZ-C2-3-NA	EATON	2A BRANCH CIRCUIT BREAKER 3 POLE C-CURVE	VMR
15					
16	1.0	SB350S	TAYMAC	DUPLEX GFCI 20A W/ INDOOR COVER	
17	1.0	5320-0	BELL	BOX OUTDOOR SINGLE GANG Q3 1/2IN HOLES	
18	1.0	SCE-60P48	SAGINAW	56X44 BACK PANEL W PANEL SUPPORT KIT	
19	1.0	PB3063	EDISON	3-POLE POWER D-BLOCK 310A 1 LINE, 6 LOAD	
20	1.0	PBC33	EDISON	3-POLE POWER D-BLOCK COVER 310-570	
21	1.0	SR2P-06	IDEC	8-PIN SOCKET 300V 10A	
22	1.0	PMPU	MACROMATIC	UNIVERSAL PHASE MONITOR 480V MAX 8P	
23	5.0	2903370	PHOENIX CONTACT	RELAY MODULE SPDT 24VDC COIL	
24					
25	1.0	MT0350B	SIEMENS	350VA CONTROL TRANSFORMER 240/480-24VAC	
26	1.0	SP2000MQMJ	HPS SPARTAN	3000VA 240/480-120VAC TRANSFORMER	
27	1.0	3RV20111AA10	SIEMENS	S00 MOTOR PROTECTOR, 1.1-1.6 A, CLASS 10	DESICCANT WHEEL
28	2.0	3RV20111DA10	SIEMENS	S00 MOTOR PROTECTOR, 2.2-3.2 A, CLASS 10	CONDENSER FANS
29	4.0	3RV20111HA10	SIEMENS	S00 MOTOR PROTECTOR, 5.5-8.0 A, CLASS 10	SUPPLY & REACT FANS
30	3.0	3RV20214DA10	SIEMENS	S0 MOTOR PROTECTOR, 18-25 A, CLASS 10	COMPRESSORS
31	4.0	3RV2901E	SIEMENS	AUXILIARY SWITCH TRANSVERSE 1 NO+1 NC SCREW TERMINAL FOR BREAKER 3RV2	
32	1.0	3RT20231AK60	SIEMENS	9A STARTER 1NO1NC AUX 120 VAC COIL	
33	3.0	3RT20271AK60	SIEMENS	32A STARTER 1NO1NC AUX 120 VAC COIL	
34	1.0	3RA29211AA00	SIEMENS	LINK MODULE SCREW AC S0	
35	3.0	3RV29255AB	SIEMENS	BUSBAR 63A FEEDER TERMINAL	
36	1.0	3RV19151AB	SIEMENS	45-2-STARTERS 63A BUSBAR W/OUT AUX SPACING	
37	1.0	3RV19151BB	SIEMENS	45-3-STARTERS 63A BUSBAR W/OUT AUX SPACING	
38	1.0	3RV19151DB	SIEMENS	45-5-STARTERS 63A BUSBAR W/OUT AUX SPACING	
39					
40					
41	1.0	SDR-240-24	MEAN WELL	240W 10A POWER SUPPLY, 1PH 100-264VAC INPUT, 24VDC OUT	
42					
43	3.0	H800	VERIS HAWKEYE	AC CURRENT SWITCH SOLID CORE 0.25-200A 1NO CONTACT	
44	1.0	LS-1628u	OEMCTRL	CPU CONTROLLER WITH 16 OUTPUTS & 28 INPUTS	PROVIDED BY AIR20
45	2.0	LS-XP812u	OEMCTRL	EXPANSION MODULE WITH 8 OUTPUTS & 12 INPUTS	PROVIDED BY AIR20
46					
47	3.0	3240205	PHOENIX CONTACT	CABLE DUCT 100MM X 100MM GRAY	
48	4.0	0801733	PHOENIX CONTACT	DIN RAIL	
49	1.0	5604188	PHOENIX CONTACT	RAISED DIN RAIL	
50	1.0	ADR11	SQUARE D	1/0-14AWG GROUNDING LUG 1WIRE	
51	3.0	PK15GTA	SQUARE D	15PT GROUND BAR	
52	1.0	3240263	PHOENIX CONTACT	CABLE DUCT 60MM X 100MM GRAY	
53					
54					
55					
56					
57					
58					
59					
60					
61					
62	1.0	A/1K-2W-A-B-GD	ACI	8FT. PLATINUM 1K OHM RTD FLEXIBLE AVERAGING DUCT TEMPERATURE SENSOR	TEMPERATURE SENSOR
63	3.0	PTD25-10-1000H	PROSENSE	0-1000 PSIG RANGE, 0-10 VDC, 1/4IN MALE NPT PROCESS CONN, 16-32VDC, 4-PIN M12	HIGHSIDE PRESSURE SW
64	3.0	CD12M-0B-070-A1	MURR	CONNECTION CABLE, M12 FEMALE TO PIGTAIL, 4-POLE, PVC JACKET, GRAY, 22.9FT/7M LENGTH, IP67	HIGHSIDE PRESSURE SW
65	3.0	P100AP-3C	JOHNSON CONTROLS	ENCAPSULATED PRESSURE SWITCH, 150 TO 225 PSI, SPST, OPEN CONSTRUCTION	LOWSIDE PRESSURE SW
66	4.0	ADPS-03-2-N	DWYER	ADJUSTABLE DIFFERENTIAL PRESSURE SWITCH, SET POINT RANGE 0.20 TO 2.00" W.C., M20 CONNECTION	DIRTY FILTER SW & AIR PROVING SW
67	2.0	QBM3100U2.5	SIEMENS	AIR DIFFERENTIAL PRESSURE SENSOR WITH RANGE OF 0 TO 2.5" WC AND 4-ZONA LOOP POWERED OUTPUT FOR INDOOR/ROOM/DUCT APPLICATION	DIFFERENTIAL PRESSURE
68	3.0	A/RH3-CP-0	ACI	HUMIDITY, DUCT, ± 3% ACCURACY, RH/ RESISTIVE TEMP, 10K-E1, EURO, 0 TO 10 VDC (RH)	TEMPERATURE & RH SENSOR
69	2.0	SM-501-P	ACI	PHOTOELECTRIC SMOKE DETECTOR 24VAC/VDC/115VAC 2 ALARM RELAYS, 1 TROUBLE RELAY	SMOKE DETECTOR
70	2.0	STN-5.0'	ACI	SMOKE DETECTOR SAMPLING TUBE 2.5FT-5FT DUCT WIDTH	SMOKE DETECTOR
71	2.0	M8700	MADISON	SPST TANK LIQUID LEVEL SWITCH SELECTABLE 240VAC 100 PSI	LEVEL SW
72	1.0	EQT2-4	OEMCTRL	4IN COLOR TOUCHSCREEN HMI	PROVIDED BY AIR20
73					
74					
75					
76					
77	1.0	KEM3125L Y/R	ALTECH CORP	DISCONNECT SWITCH, ENCLOSED, 125A, 600V AC, NF, 3P, YELLOW/RED HANDLE	
78					
79					
80					

SUPERIOR CONTROL SYSTEMS, INC.
2406 S. 24TH STREET
BUILDING C SUITE 120
PHOENIX, AZ 85034

O: 480-966-1400
F: 480-966-1422
WWW.SUPERIORCONTROL.COM

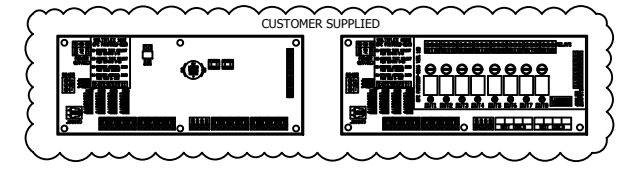
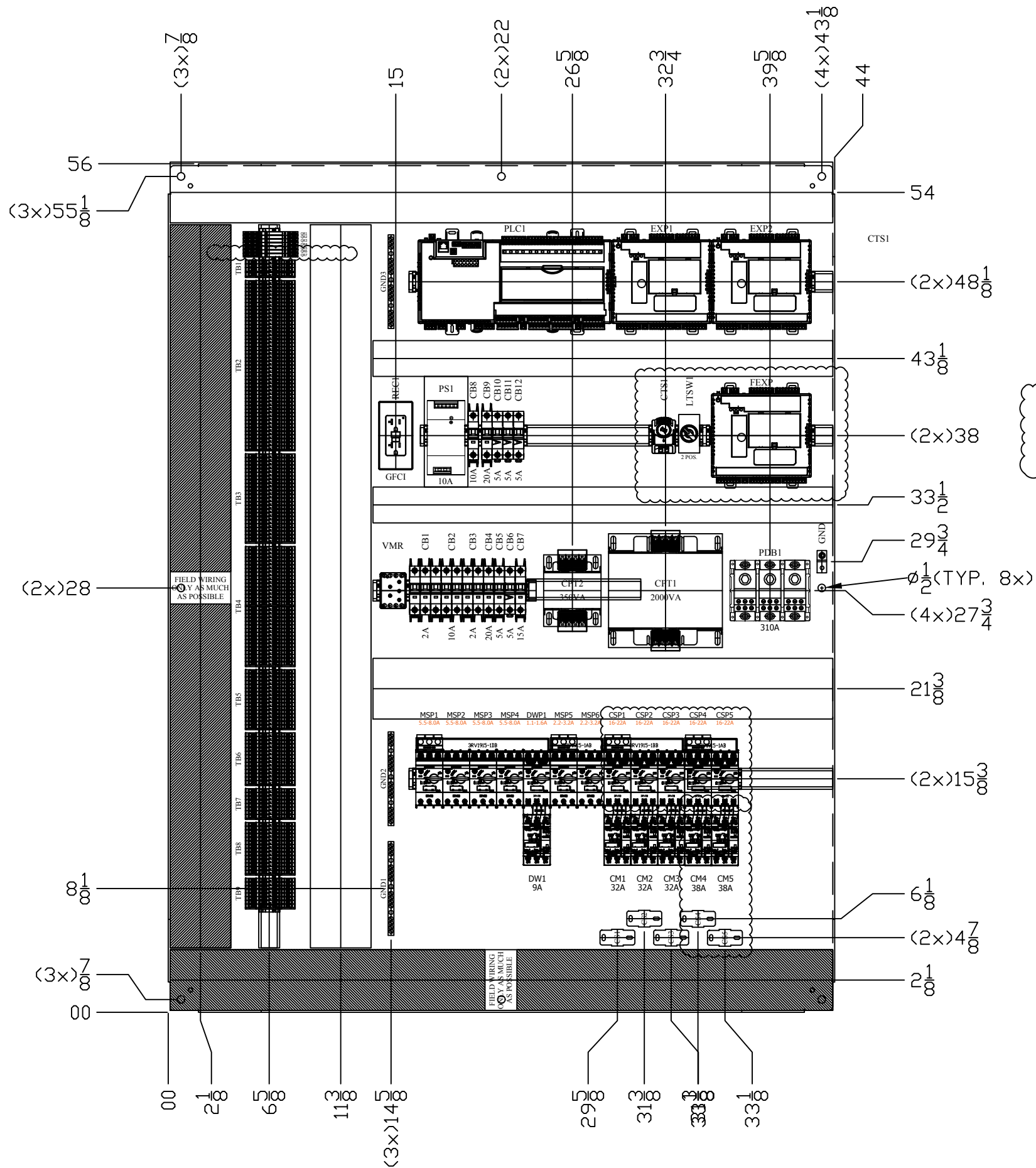


WHOLE FOODS VENICE - DHP-60
BILL OF MATERIALS

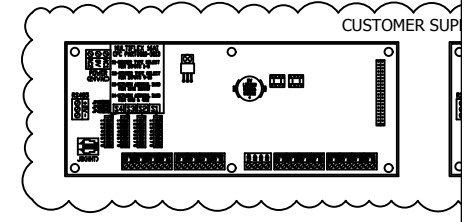
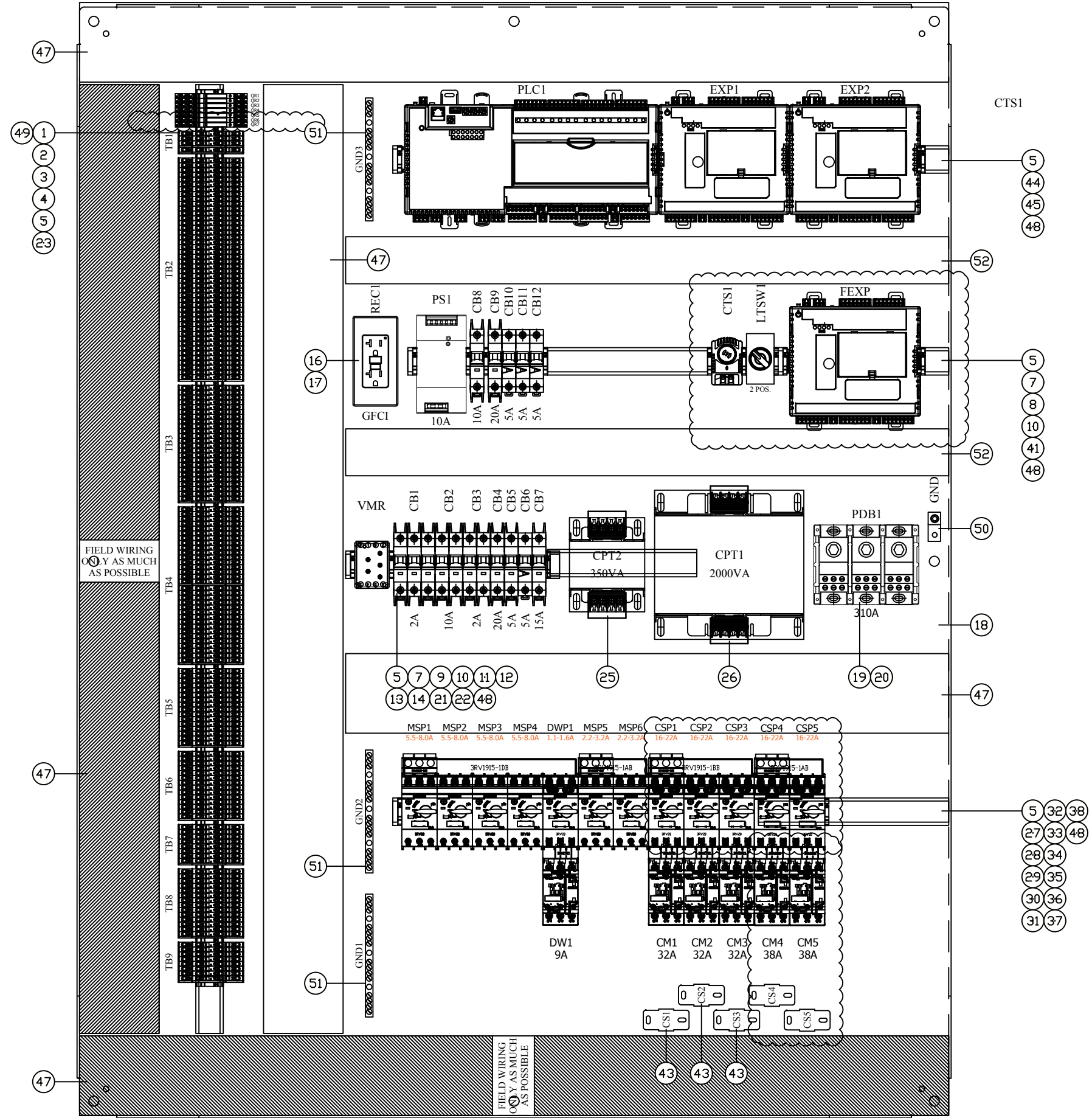
This drawing and the information contained herein is the sole property of Superior Control Systems Inc. All ideas are classified confidential and cannot be revealed to anyone without permission of Superior Control Systems Inc. Unauthorized use or reproduction of any part of this drawing is strictly prohibited.

REVISIONS				
NO.	BY	DATE	CHKD	REMARKS
0	AFH	2/02/2021	TH	SUBMITTAL
1	AFH	2/03/2021	TH	CONSTRUCTION
1.1	RJK	07/30/2021	XX	CONSTRUCTION - ADDITIONAL COMPRESSORS, RLA CHANGES
1.2	MT	08/02/2021	XX	CONSTRUCTION - ADDITIONAL COMPRESSORS, RLA CHANGES

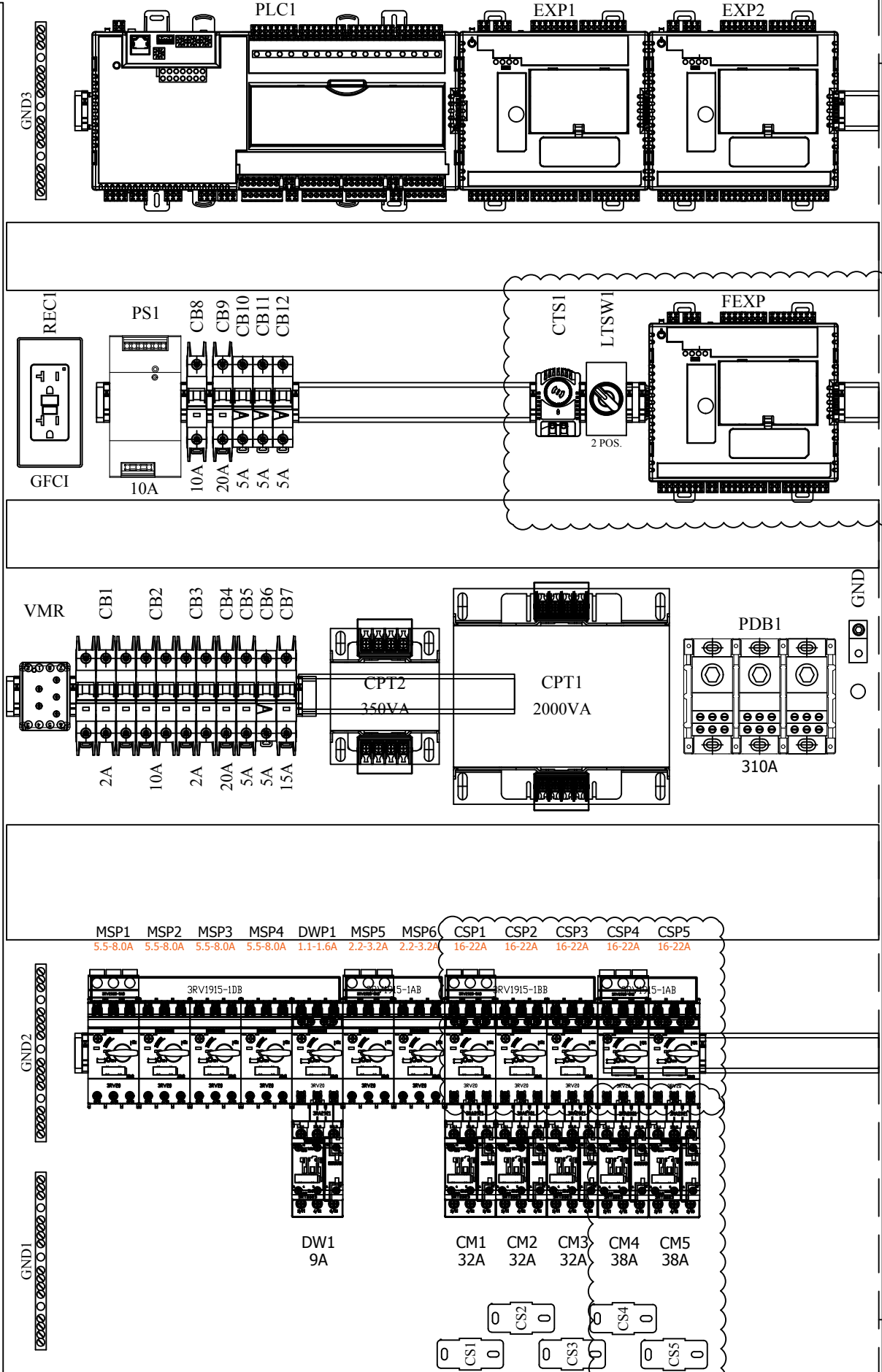
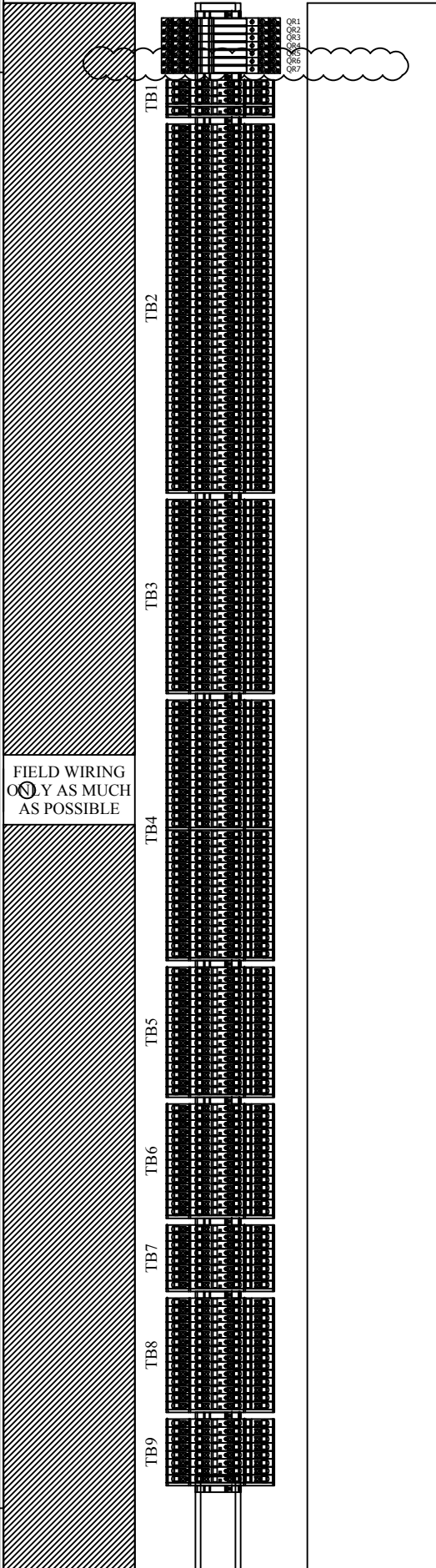
COPYRIGHT 2021
JOB# 11761
DATE: 7/30/2021
BOM
DRAWING# 11761 AIR20-WF-VENICE-DHP



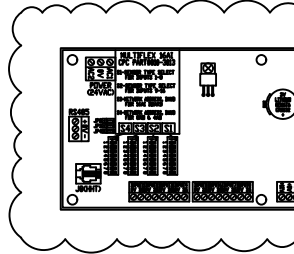
REVISIONS				
NO.	BY	DATE	CKD	REMARKS
0	AFH	2/02/2021	TH	SUBMITTAL
1	AFH	2/03/2021	TH	CONSTRUCTION
1.1	RJK	07/30/2021	XX	CONSTRUCTION - ADDITIONAL COMPRESSORS, RLA CHANGES
1.2	MT	08/02/2021	XX	CONSTRUCTION - ADDITIONAL COMPRESSORS, RLA CHANGES



REVISIONS				
NO.	BY	DATE	CKD	REMARKS
0	AFH	2/02/2021	TH	SUBMITTAL
1	AFH	2/03/2021	TH	CONSTRUCTION
1.1	RJK	07/30/2021	XX	CONSTRUCTION - ADDITIONAL COMPRESSORS, RLA CHANGES
1.2	MT	08/02/2021	XX	CONSTRUCTION - ADDITIONAL COMPRESSORS, RLA CHANGES



CTS1



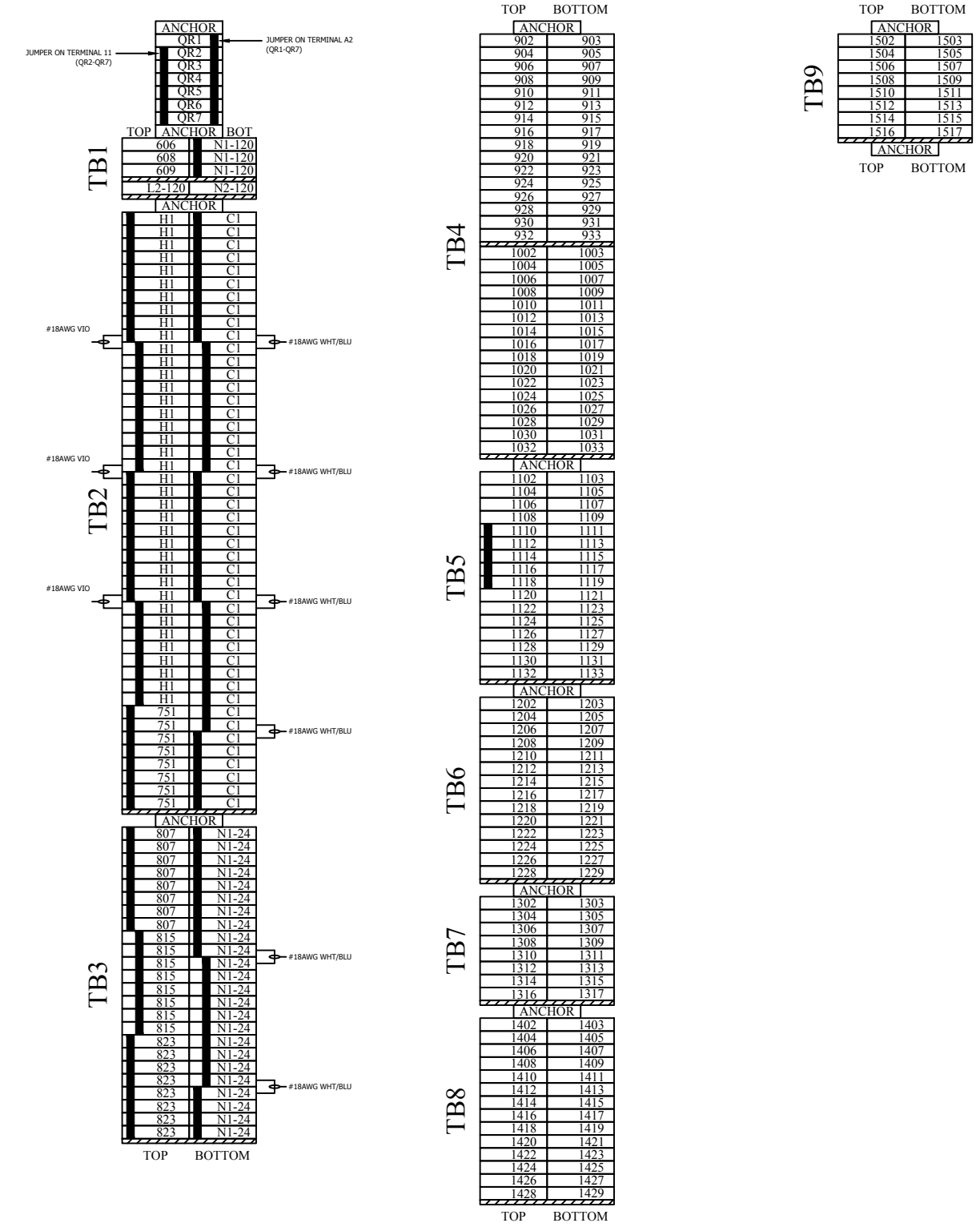
WHOLE FOODS VENICE - DHP-60
ELEVATION (INSIDE) - PANEL DETAILS

This drawing and the information contained herein is the sole property of Superior Control Systems Inc. All ideas are classified confidential and cannot be revealed to anyone without permission of Superior Control Systems Inc. Unauthorized use or reproduction of any part of this drawing is strictly prohibited.

REVISIONS				
NO.	BY	DATE	CKD	REMARKS
0	AFH	2/02/2021	TH	SUBMITTAL
1	AFH	2/03/2021	TH	CONSTRUCTION
1.1	RJK	07/30/2021	XX	CONSTRUCTION - ADDITIONAL COMPRESSORS, RLA CHANGES
1.2	MT	08/02/2021	XX	CONSTRUCTION - ADDITIONAL COMPRESSORS, RLA CHANGES

COPYRIGHT 2021	
JOB#	11761
DATE:	7/30/2021
E02 OF E03	
DRAWING# 11761 AIR20-WF-VENICE-DHP	

TERMINAL BLOCK & RELAY LAYOUT



SUPERIOR CONTROL SYSTEMS, INC.
2406 S. 24TH STREET
BUILDING C SUITE 120
PHOENIX, AZ 85034

O: 480-966-1400
F: 480-966-1422
WWW.SUPERIORCONTROL.COM

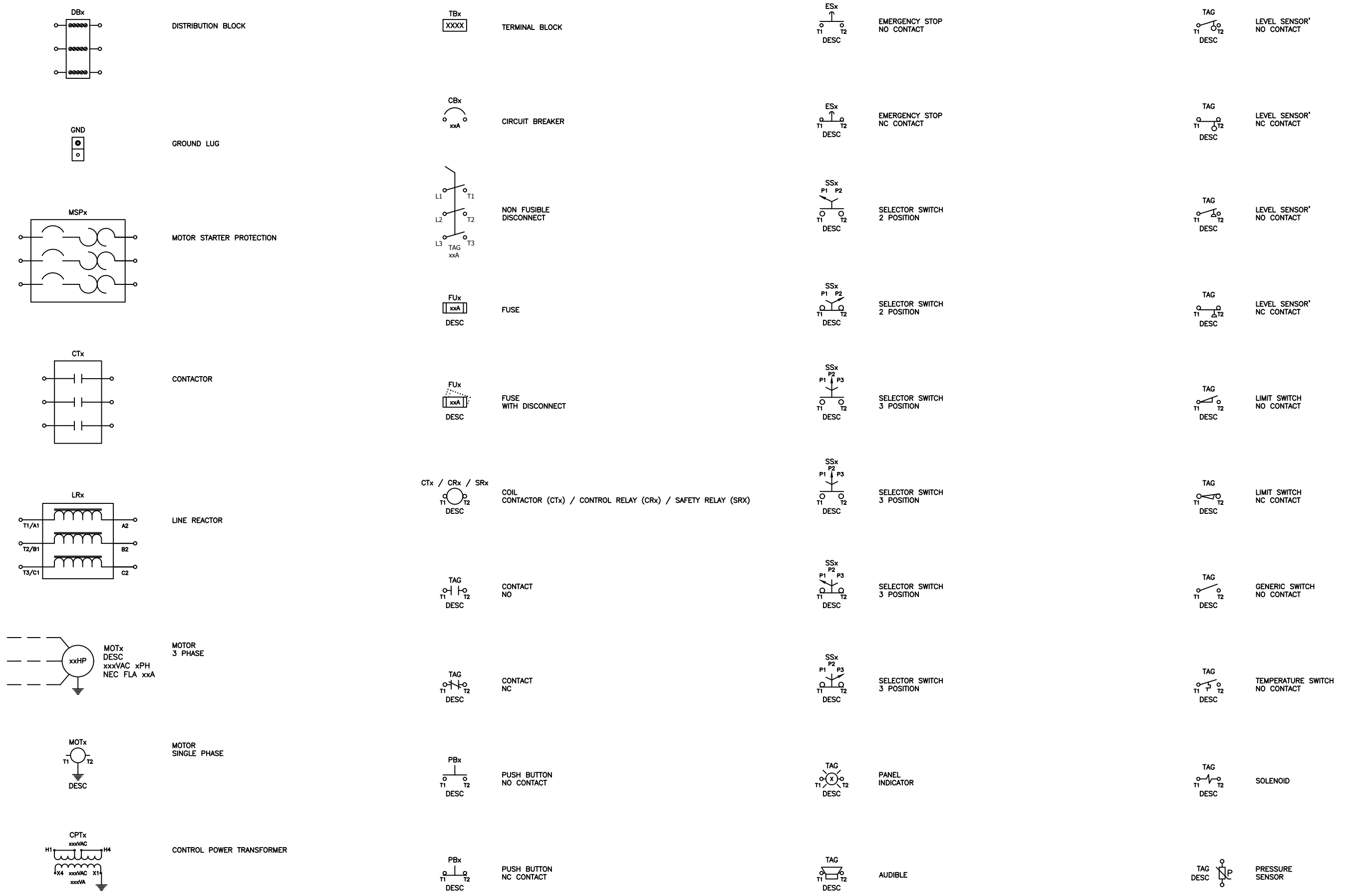


WHOLE FOODS VENICE - DHP-60
ELEVATION (INSIDE) - TERMINAL BLOCK/RELAY LAYOUT

This drawing and the information contained herein is the sole property of Superior Control Systems Inc. All ideas are classified confidential and cannot be revealed to anyone without permission of Superior Control Systems Inc. Unauthorized use or reproduction of any part of this drawing is strictly prohibited.

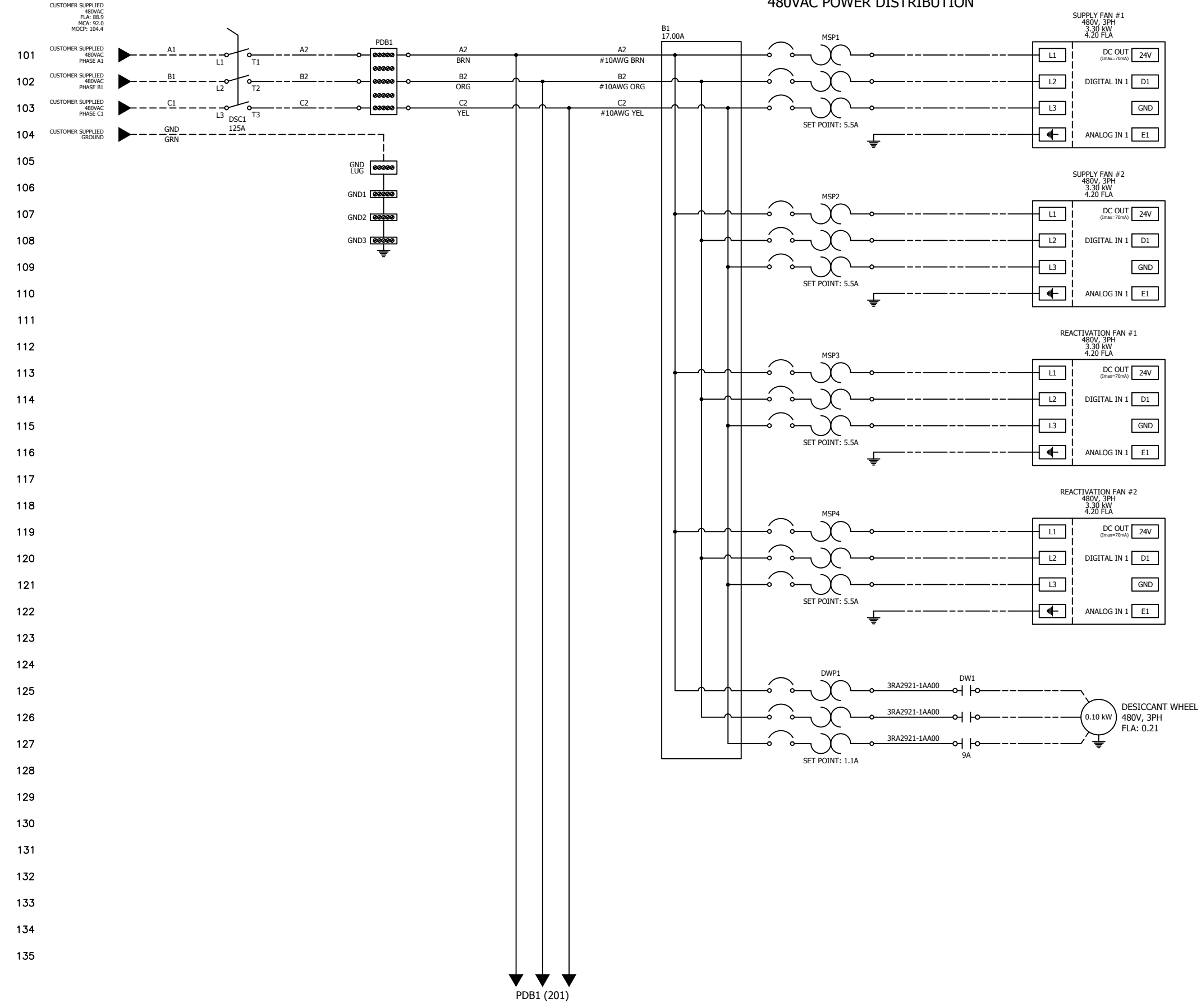
REVISIONS				
NO.	BY	DATE	CKD	REMARKS
0	AFH	2/02/2021	TH	SUBMITTAL
1	AFH	2/03/2021	TH	CONSTRUCTION
1.1	RJK	07/30/2021	XX	CONSTRUCTION - ADDITIONAL COMPRESSORS, RLA CHANGES
1.2	MT	08/02/2021	XX	CONSTRUCTION - ADDITIONAL COMPRESSORS, RLA CHANGES

COPYRIGHT 2021
JOB# 11761
DATE: 7/30/2021
E03 OF E03
DRAWING# 11761 AIR20-WF-VENICE-DHP



REVISIONS				
NO.	BY	DATE	CKD	REMARKS
0	AFH	2/02/2021	TH	SUBMITTAL
1	AFH	2/03/2021	TH	CONSTRUCTION
1.1	RJK	07/30/2021	XX	CONSTRUCTION - ADDITIONAL COMPRESSORS, RLA CHANGES
1.2	MT	08/02/2021	XX	CONSTRUCTION - ADDITIONAL COMPRESSORS, RLA CHANGES

480VAC POWER DISTRIBUTION

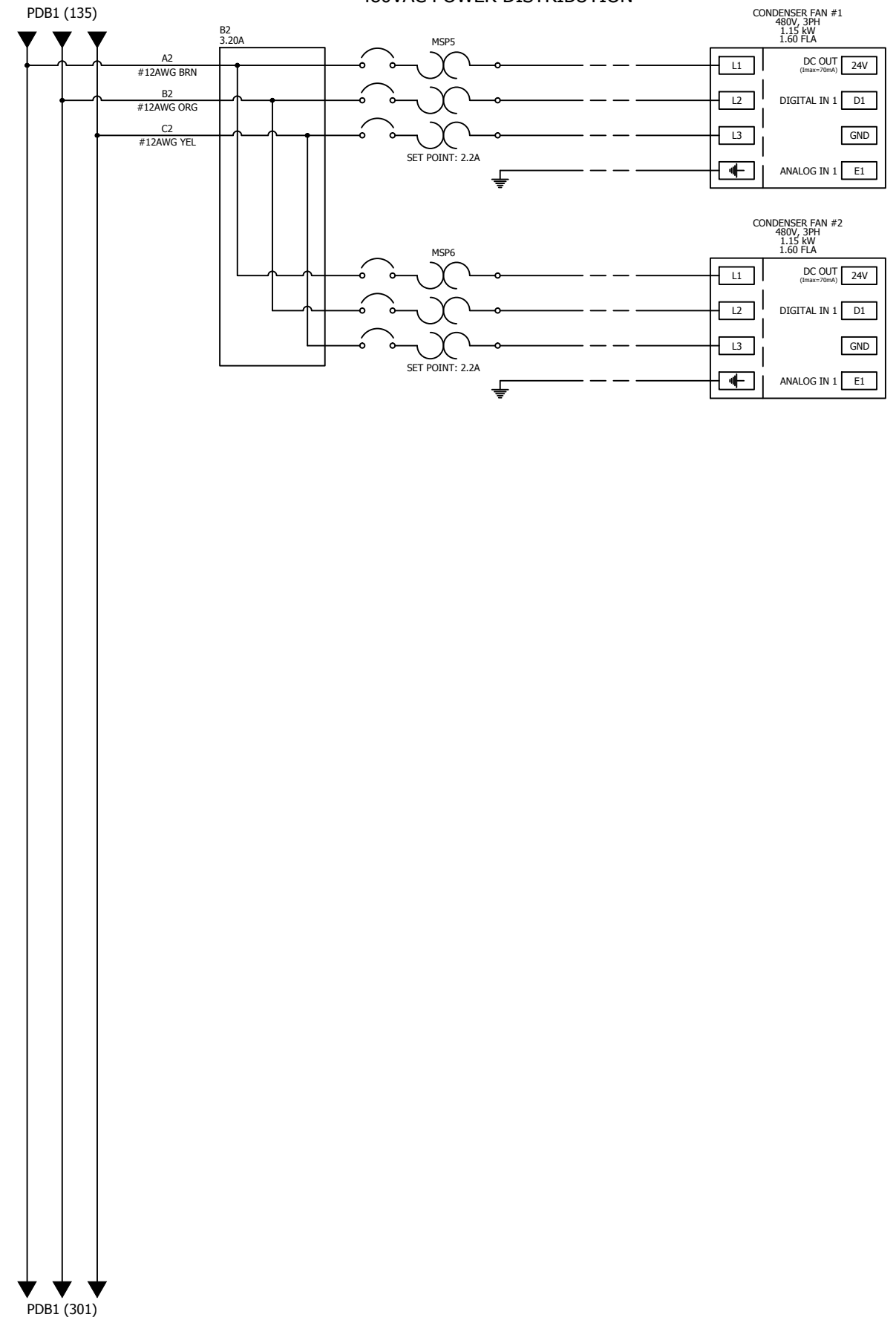


————— CONTROL PANEL WIRING
 - - - - - FACTORY WIRING
 - - - - - CUSTOMER WIRING

REVISIONS				
NO.	BY	DATE	CKD	REMARKS
0	AFH	2/02/2021	TH	SUBMITTAL
1	AFH	2/03/2021	TH	CONSTRUCTION
1.1	RJK	07/30/2021	XX	CONSTRUCTION - ADDITIONAL COMPRESSORS, RLA CHANGES
1.2	MT	08/02/2021	XX	CONSTRUCTION - ADDITIONAL COMPRESSORS, RLA CHANGES

201
202
203
204
205
206
207
208
209
210
211
212
213
214
215
216
217
218
219
220
221
222
223
224
225
226
227
228
229
230
231
232
233
234
235

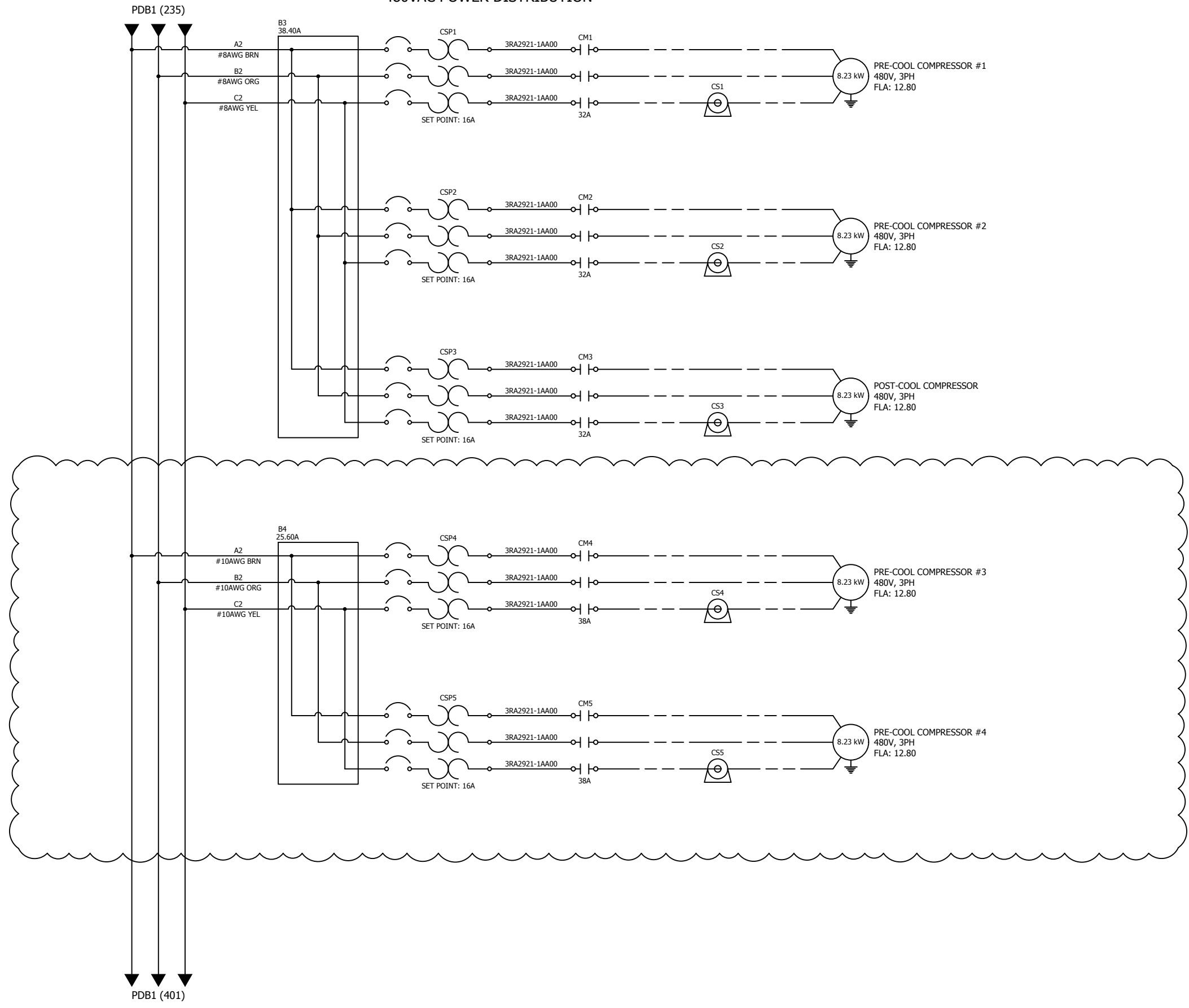
480VAC POWER DISTRIBUTION



REVISIONS				
NO.	BY	DATE	CKD	REMARKS
0	AFH	2/02/2021	TH	SUBMITTAL
1	AFH	2/03/2021	TH	CONSTRUCTION
1.1	RJK	07/30/2021	XX	CONSTRUCTION - ADDITIONAL COMPRESSORS, RLA CHANGES
1.2	MT	08/02/2021	XX	CONSTRUCTION - ADDITIONAL COMPRESSORS, RLA CHANGES

301
302
303
304
305
306
307
308
309
310
311
312
313
314
315
316
317
318
319
320
321
322
323
324
325
326
327
328
329
330
331
332
333
334
335

480VAC POWER DISTRIBUTION



SUPERIOR CONTROL SYSTEMS, INC.
2406 S. 24TH STREET
BUILDING C SUITE 120
PHOENIX, AZ 85034

O: 480-966-1400
F: 480-966-1422
WWW.SUPERIORCONTROL.COM



WHOLE FOODS VENICE - DHP-60
SCHEMATIC - 480VAC POWER DISTRIBUTION 3

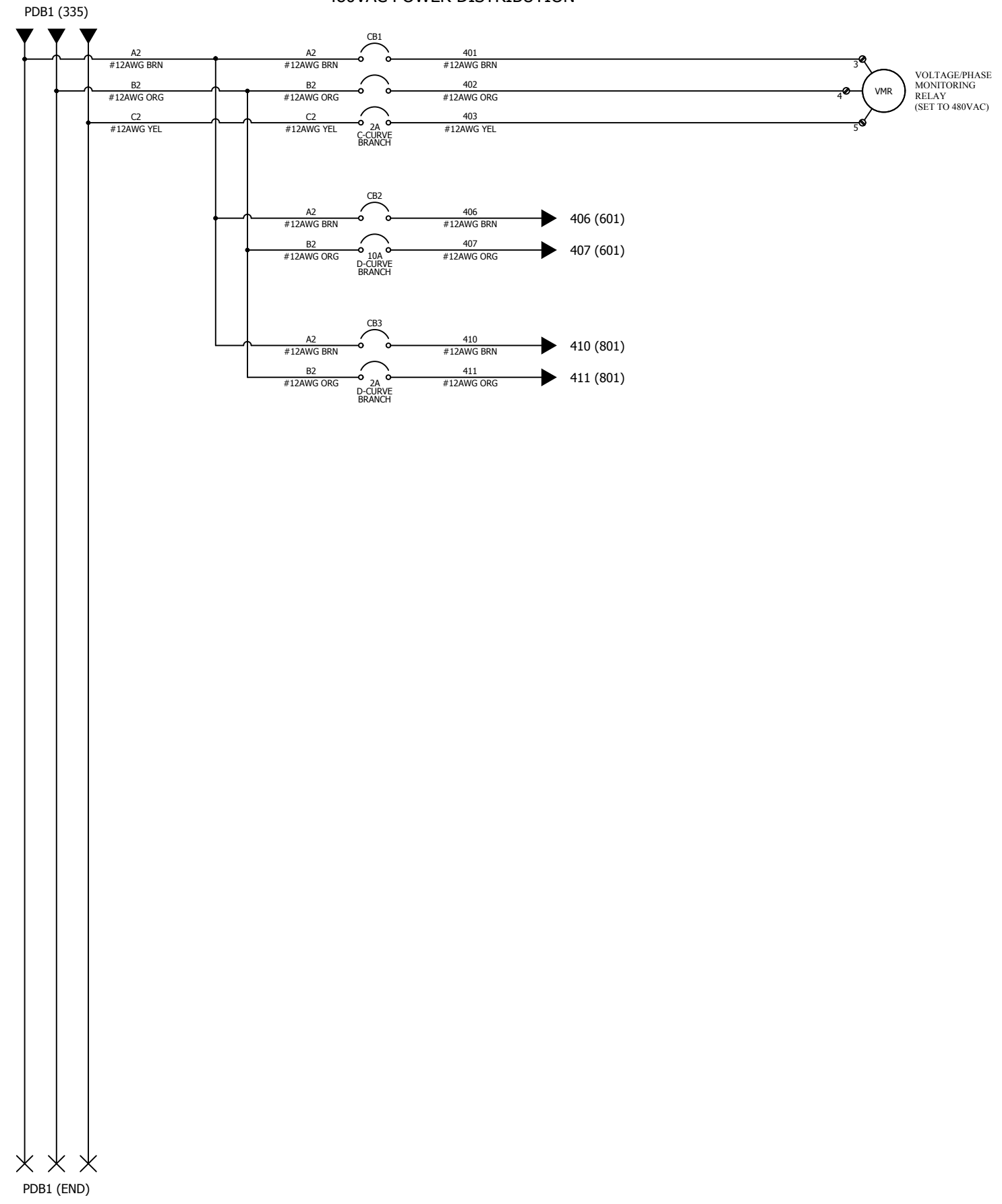
This drawing and the information contained herein is the sole property of Superior Control Systems Inc.
All ideas are classified confidential and cannot be revealed to anyone without permission of Superior Control Systems Inc.
Unauthorized use or reproduction of any part of this drawing is strictly prohibited.

REVISIONS				
NO.	BY	DATE	CHKD	REMARKS
0	AFH	2/02/2021	TH	SUBMITTAL
1	AFH	2/03/2021	TH	CONSTRUCTION
1.1	RJK	07/30/2021	XX	CONSTRUCTION - ADDITIONAL COMPRESSORS, RLA CHANGES
1.2	MT	08/02/2021	XX	CONSTRUCTION - ADDITIONAL COMPRESSORS, RLA CHANGES

COPYRIGHT 2021
JOB# 11761
DATE: 7/30/2021
S03 OF S15
DRAWING# 11761 AIR2O-WF-VENICE-DHP

401
402
403
404
405
406
407
408
409
410
411
412
413
414
415
416
417
418
419
420
421
422
423
424
425
426
427
428
429
430
431
432
433
434
435

480VAC POWER DISTRIBUTION



REVISIONS				
NO.	BY	DATE	CKD	REMARKS
0	AFH	2/02/2021	TH	SUBMITTAL
1	AFH	2/03/2021	TH	CONSTRUCTION
1.1	RJK	07/30/2021	XX	CONSTRUCTION - ADDITIONAL COMPRESSORS, RLA CHANGES
1.2	MT	08/02/2021	XX	CONSTRUCTION - ADDITIONAL COMPRESSORS, RLA CHANGES

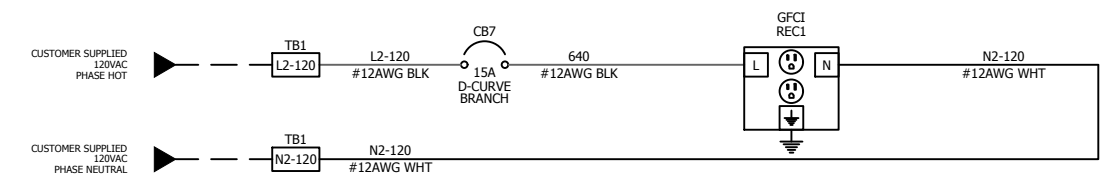
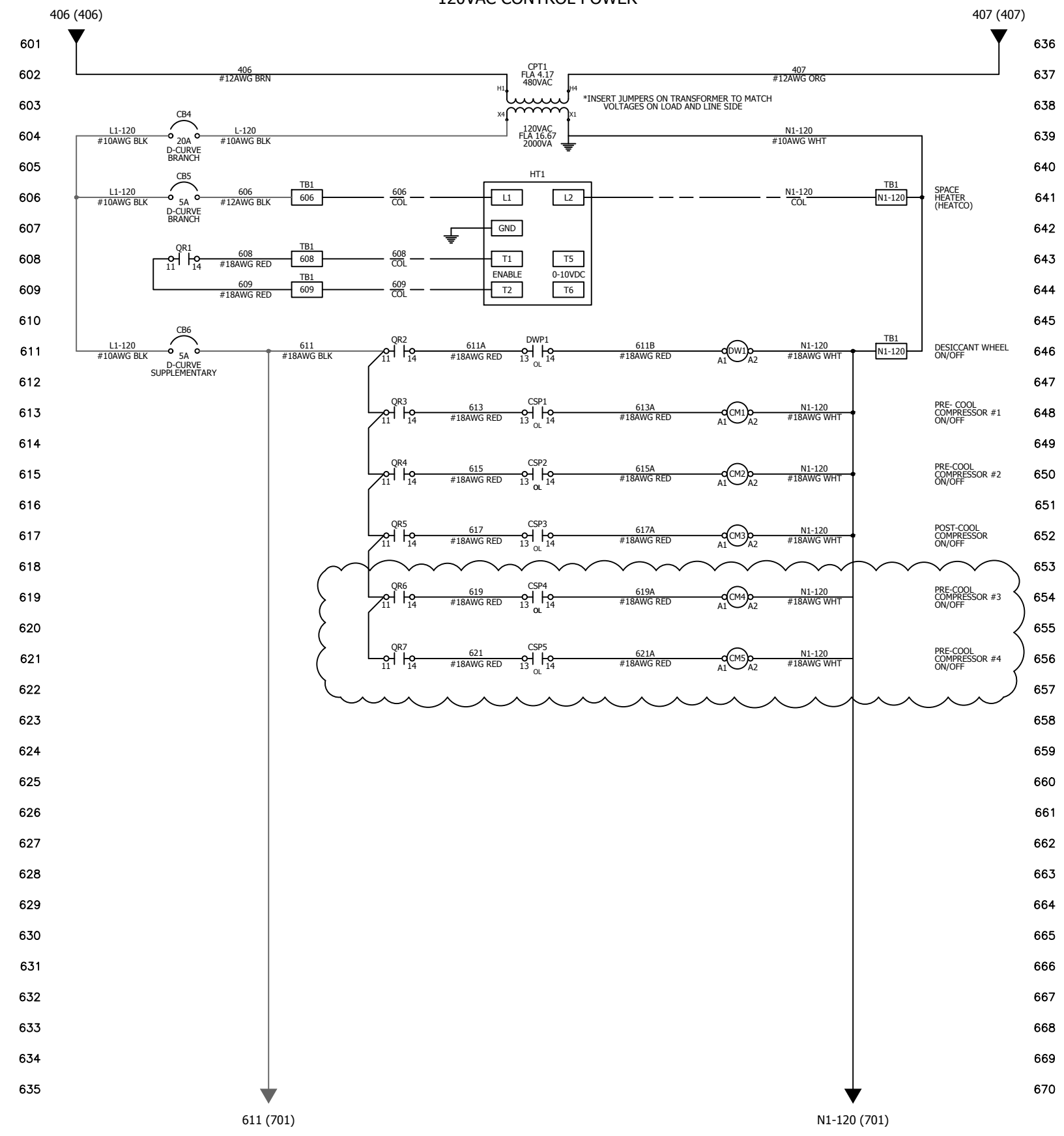
501
502
503
504
505
506
507
508
509
510
511
512
513
514
515
516
517
518
519
520
521
522
523
524
525
526
527
528
529
530
531
532
533
534
535

RUNGS INTENTIONALLY LEFT BLANK

REVISIONS				
NO.	BY	DATE	CKD	REMARKS
0	AFH	2/02/2021	TH	SUBMITTAL
1	AFH	2/03/2021	TH	CONSTRUCTION
1.1	RJK	07/30/2021	XX	CONSTRUCTION - ADDITIONAL COMPRESSORS, RLA CHANGES
1.2	MT	08/02/2021	XX	CONSTRUCTION - ADDITIONAL COMPRESSORS, RLA CHANGES

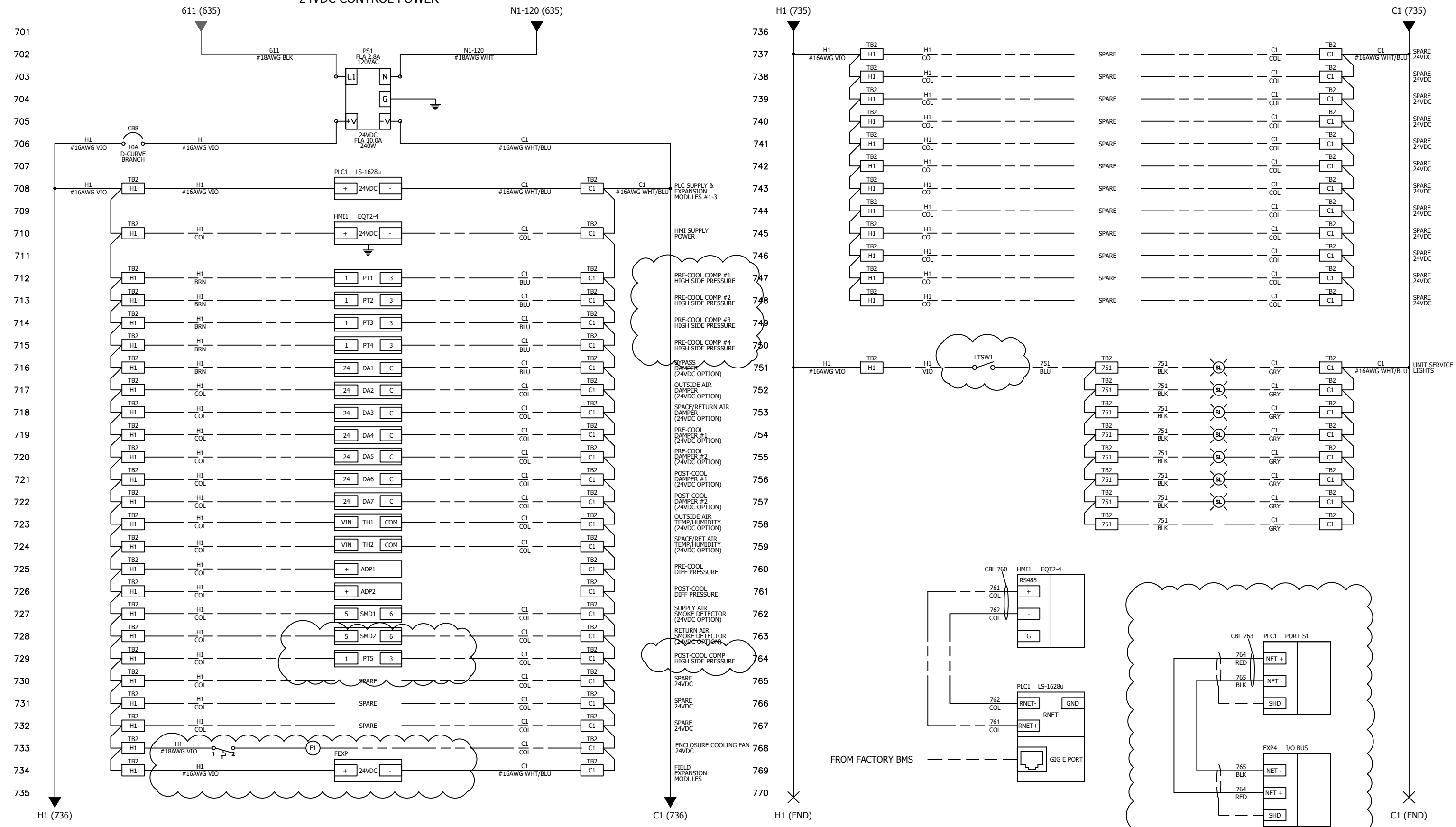
120VAC CONTROL POWER

CIRCUIT B 120VAC CONTROL POWER



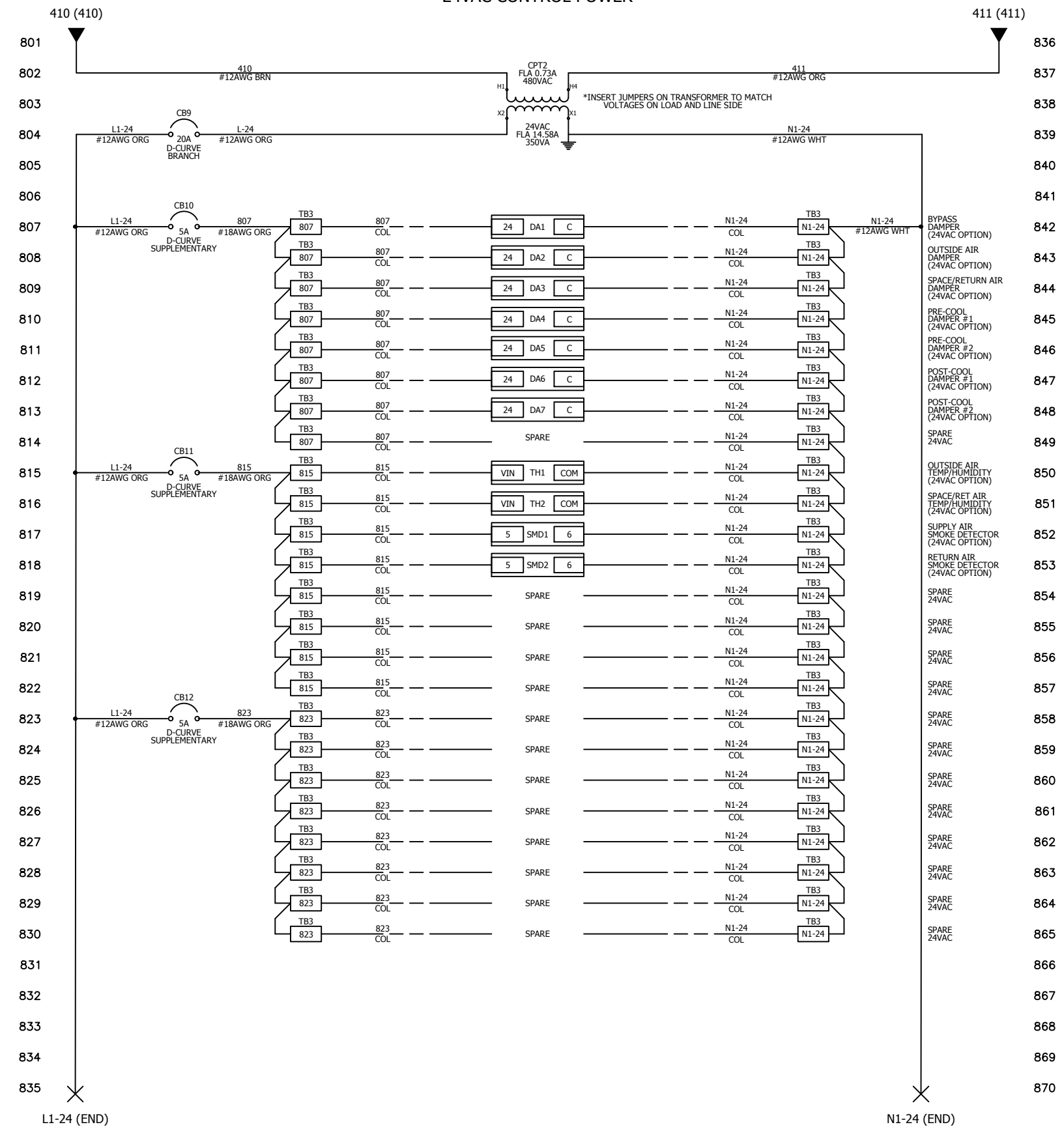
REVISIONS				
NO.	BY	DATE	CKD	REMARKS
0	AFH	2/02/2021	TH	SUBMITTAL
1	AFH	2/03/2021	TH	CONSTRUCTION
1.1	RJK	07/30/2021	XX	CONSTRUCTION - ADDITIONAL COMPRESSORS, RLA CHANGES
1.2	MT	08/02/2021	XX	CONSTRUCTION - ADDITIONAL COMPRESSORS, RLA CHANGES

24VDC CONTROL POWER



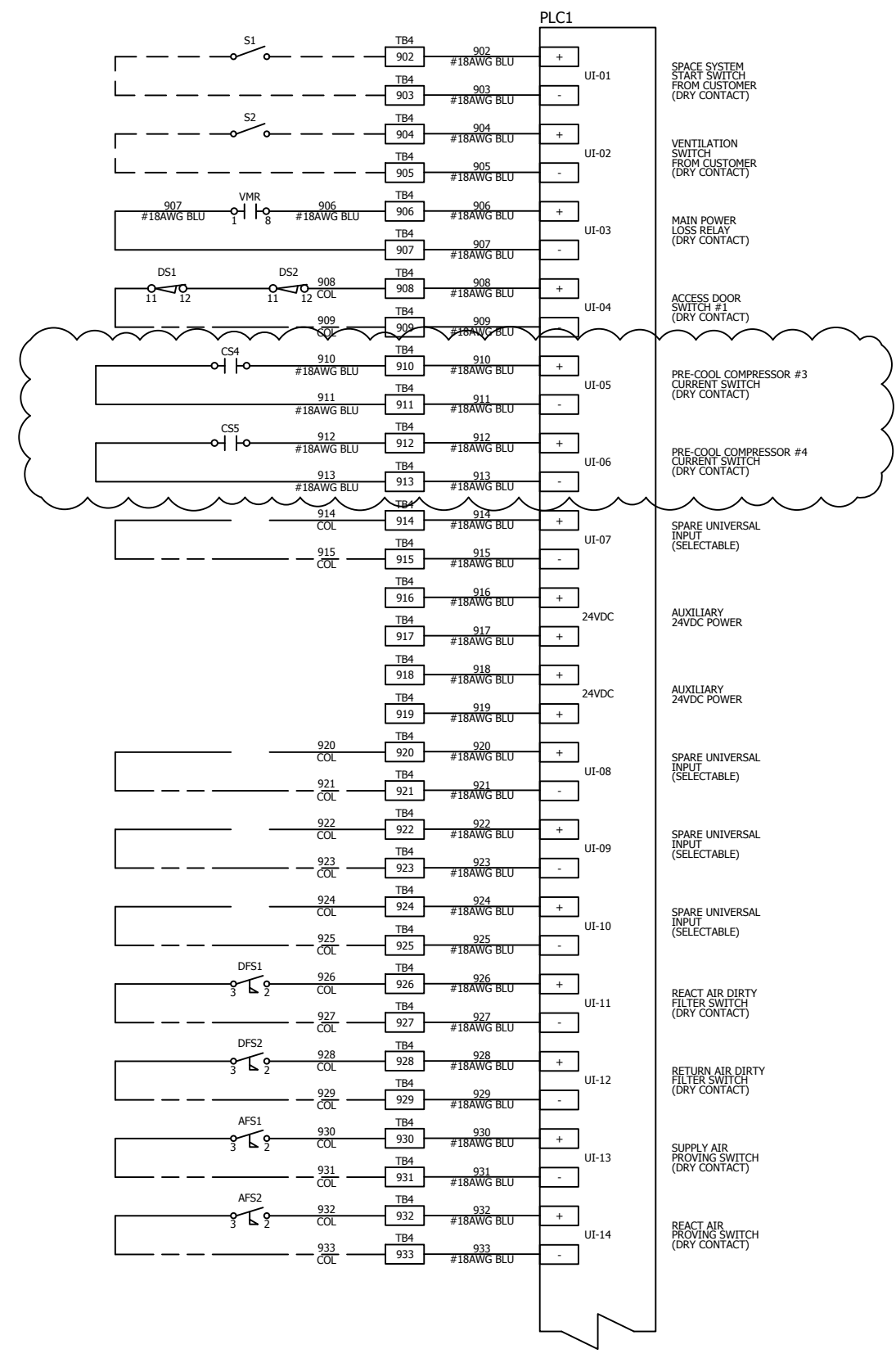
REVISIONS					COPYRIGHT 2021	
NO.	BY	DATE	CKD	REMARKS		
0	AFH	2/02/2021	TH	SUBMITTAL	JOB# 11761	
1	AFH	2/03/2021	TH	CONSTRUCTION	DATE: 7/30/2021	
1.1	RJK	07/30/2021	XX	CONSTRUCTION - ADDITIONAL COMPRESSORS, RLA CHANGES	S07 OF S15	
1.2	MT	08/02/2021	XX	CONSTRUCTION - ADDITIONAL COMPRESSORS, RLA CHANGES	DRAWING# 11761 AIR2O-WF-VENICE-DHP	

24VAC CONTROL POWER



REVISIONS				
NO.	BY	DATE	CKD	REMARKS
0	AFH	2/02/2021	TH	SUBMITTAL
1	AFH	2/03/2021	TH	CONSTRUCTION
1.1	RJK	07/30/2021	XX	CONSTRUCTION - ADDITIONAL COMPRESSORS, RLA CHANGES
1.2	MT	08/02/2021	XX	CONSTRUCTION - ADDITIONAL COMPRESSORS, RLA CHANGES

901
902
903
904
905
906
907
908
909
910
911
912
913
914
915
916
917
918
919
920
921
922
923
924
925
926
927
928
929
930
931
932
933
934
935

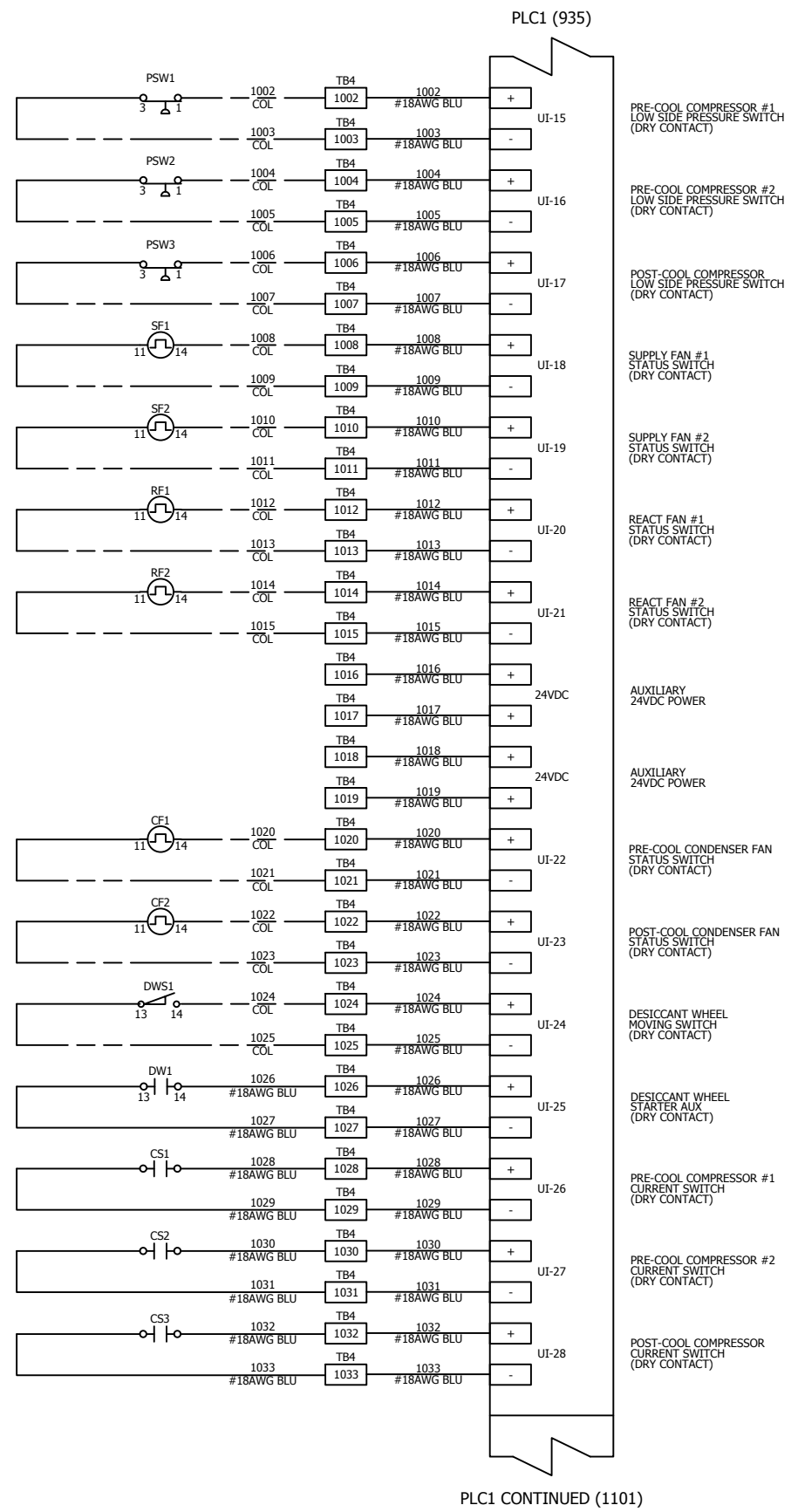


936
937
938
939
940
941
942
943
944
945
946
947
948
949
950
951
952
953
954
955
956
957
958
959
960
961
962
963
964
965
966
967
968
969
970

PLC1 CONTINUED (1001)

REVISIONS				
NO.	BY	DATE	CKD	REMARKS
0	AFH	2/02/2021	TH	SUBMITTAL
1	AFH	2/03/2021	TH	CONSTRUCTION
1.1	RJK	07/30/2021	XX	CONSTRUCTION - ADDITIONAL COMPRESSORS, RLA CHANGES
1.2	MT	08/02/2021	XX	CONSTRUCTION - ADDITIONAL COMPRESSORS, RLA CHANGES

1001
1002
1003
1004
1005
1006
1007
1008
1009
1010
1011
1012
1013
1014
1015
1016
1017
1018
1019
1020
1021
1022
1023
1024
1025
1026
1027
1028
1029
1030
1031
1032
1033
1034
1035



1036
1037
1038
1039
1040
1041
1042
1043
1044
1045
1046
1047
1048
1049
1050
1051
1052
1053
1054
1055
1056
1057
1058
1059
1060
1061
1062
1063
1064
1065
1066
1067
1068
1069
1070

UI-15 PRE-COOL COMPRESSOR #1
LOW SIDE PRESSURE SWITCH
(DRY CONTACT)

UI-16 PRE-COOL COMPRESSOR #2
LOW SIDE PRESSURE SWITCH
(DRY CONTACT)

UI-17 POST-COOL COMPRESSOR
LOW SIDE PRESSURE SWITCH
(DRY CONTACT)

UI-18 SUPPLY FAN #1
STATUS SWITCH
(DRY CONTACT)

UI-19 SUPPLY FAN #2
STATUS SWITCH
(DRY CONTACT)

UI-20 REACT FAN #1
STATUS SWITCH
(DRY CONTACT)

UI-21 REACT FAN #2
STATUS SWITCH
(DRY CONTACT)

24VDC AUXILIARY
24VDC POWER

24VDC AUXILIARY
24VDC POWER

UI-22 PRE-COOL CONDENSER FAN
STATUS SWITCH
(DRY CONTACT)

UI-23 POST-COOL CONDENSER FAN
STATUS SWITCH
(DRY CONTACT)

UI-24 DESICCANT WHEEL
MOVING SWITCH
(DRY CONTACT)

UI-25 DESICCANT WHEEL
STARTER AUX
(DRY CONTACT)

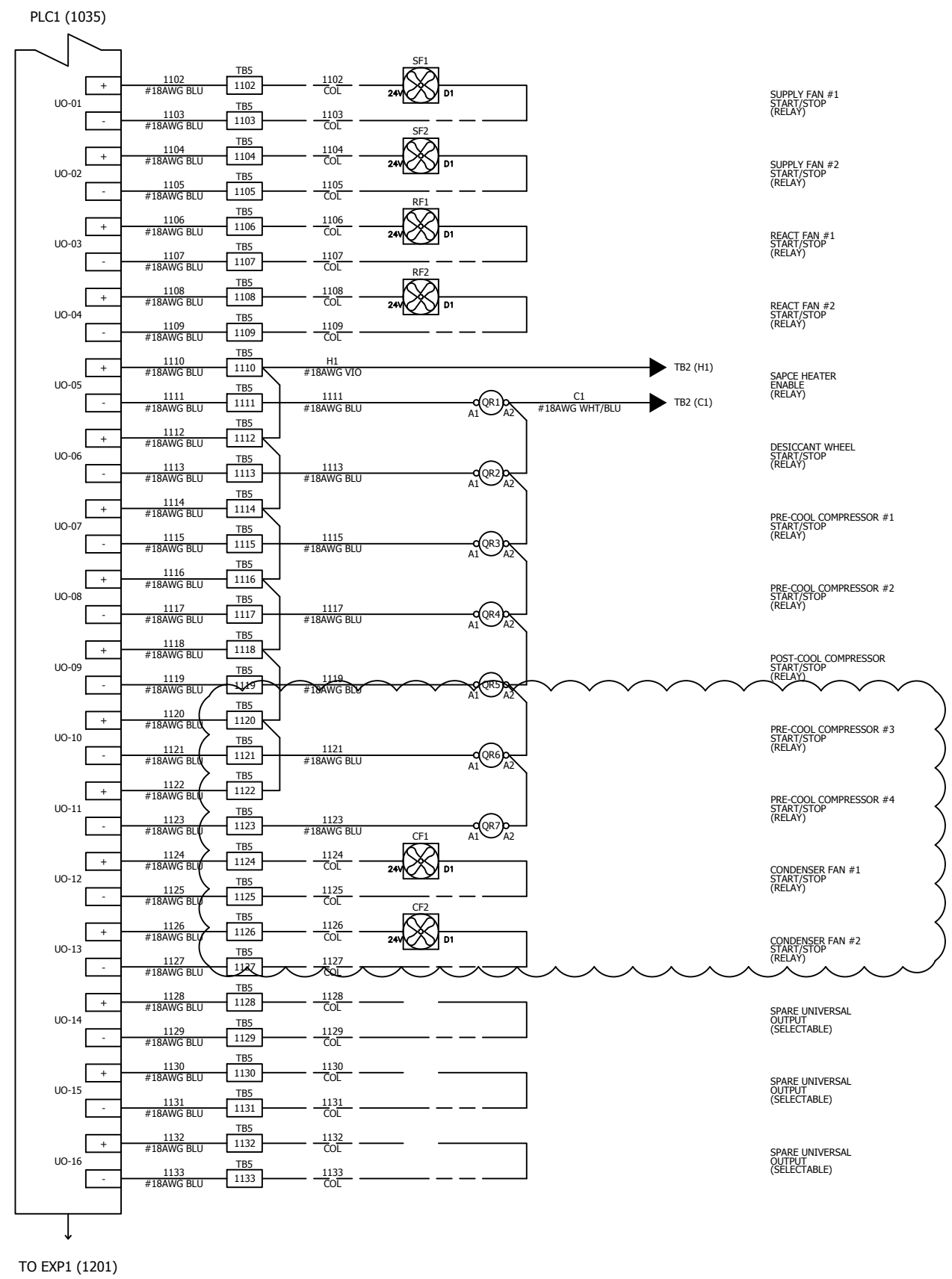
UI-26 PRE-COOL COMPRESSOR #1
CURRENT SWITCH
(DRY CONTACT)

UI-27 PRE-COOL COMPRESSOR #2
CURRENT SWITCH
(DRY CONTACT)

UI-28 POST-COOL COMPRESSOR
CURRENT SWITCH
(DRY CONTACT)

REVISIONS				
NO.	BY	DATE	CKD	REMARKS
0	AFH	2/02/2021	TH	SUBMITTAL
1	AFH	2/03/2021	TH	CONSTRUCTION
1.1	RJK	07/30/2021	XX	CONSTRUCTION - ADDITIONAL COMPRESSORS, RLA CHANGES
1.2	MT	08/02/2021	XX	CONSTRUCTION - ADDITIONAL COMPRESSORS, RLA CHANGES

1101
1102
1103
1104
1105
1106
1107
1108
1109
1110
1111
1112
1113
1114
1115
1116
1117
1118
1119
1120
1121
1122
1123
1124
1125
1126
1127
1128
1129
1130
1131
1132
1133
1134
1135



1136
1137
1138
1139
1140
1141
1142
1143
1144
1145
1146
1147
1148
1149
1150
1151
1152
1153
1154
1155
1156
1157
1158
1159
1160
1161
1162
1163
1164
1165
1166
1167
1168
1169
1170

UO-01	UO-02	UO-03	UO-04
HAND	HAND	HAND	HAND
AUTO	AUTO	AUTO	AUTO
OFF	OFF	OFF	OFF
ANALOG	ANALOG	ANALOG	ANALOG
BINARY	BINARY	BINARY	BINARY
0-20mA	0-20mA	0-20mA	0-20mA
0-10VDC	0-10VDC	0-10VDC	0-10VDC

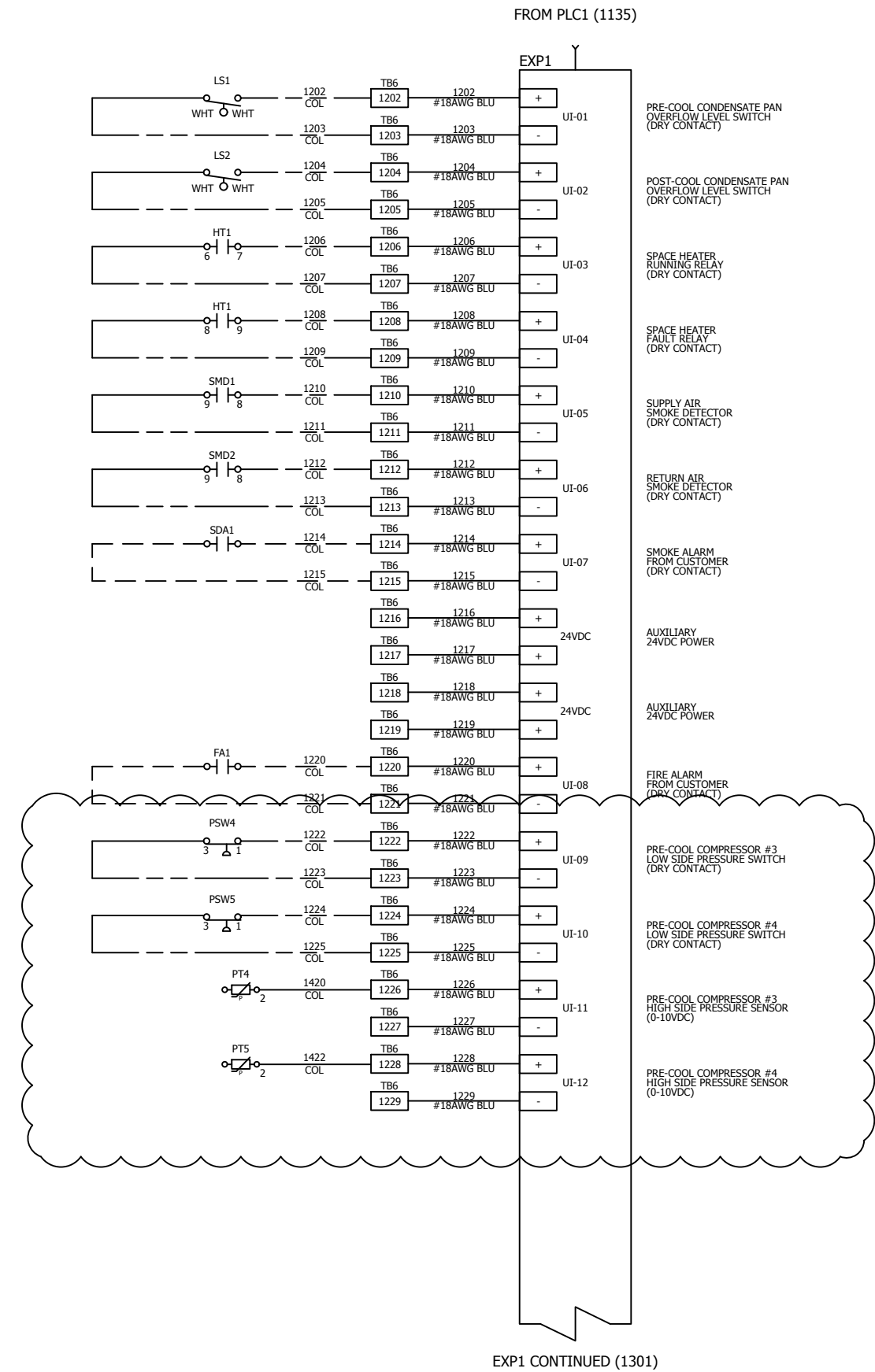
UO-05	UO-06	UO-07	UO-08
HAND	HAND	HAND	HAND
AUTO	AUTO	AUTO	AUTO
OFF	OFF	OFF	OFF
ANALOG	ANALOG	ANALOG	ANALOG
BINARY	BINARY	BINARY	BINARY
0-20mA	0-20mA	0-20mA	0-20mA
0-10VDC	0-10VDC	0-10VDC	0-10VDC

UO-09	UO-10	UO-11	UO-12
HAND	HAND	HAND	HAND
AUTO	AUTO	AUTO	AUTO
OFF	OFF	OFF	OFF
ANALOG	ANALOG	ANALOG	ANALOG
BINARY	BINARY	BINARY	BINARY
0-20mA	0-20mA	0-20mA	0-20mA
0-10VDC	0-10VDC	0-10VDC	0-10VDC

UO-13	UO-14	UO-15	UO-16
HAND	HAND	HAND	HAND
AUTO	AUTO	AUTO	AUTO
OFF	OFF	OFF	OFF
ANALOG	ANALOG	ANALOG	ANALOG
BINARY	BINARY	BINARY	BINARY
0-20mA	0-20mA	0-20mA	0-20mA
0-10VDC	0-10VDC	0-10VDC	0-10VDC

REVISIONS				
NO.	BY	DATE	CKD	REMARKS
0	AFH	2/02/2021	TH	SUBMITTAL
1	AFH	2/03/2021	TH	CONSTRUCTION
1.1	RJK	07/30/2021	XX	CONSTRUCTION - ADDITIONAL COMPRESSORS, RLA CHANGES
1.2	MT	08/02/2021	XX	CONSTRUCTION - ADDITIONAL COMPRESSORS, RLA CHANGES

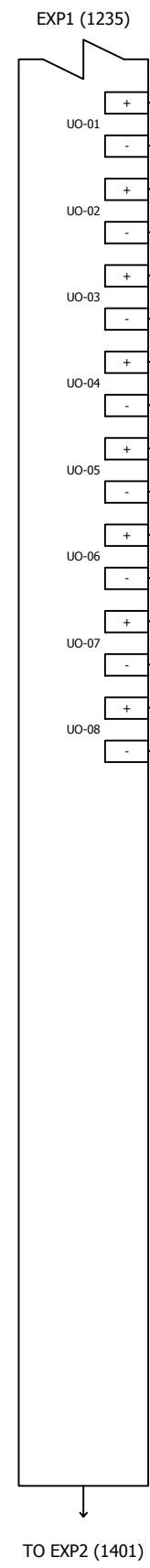
1201
1202
1203
1204
1205
1206
1207
1208
1209
1210
1211
1212
1213
1214
1215
1216
1217
1218
1219
1220
1221
1222
1223
1224
1225
1226
1227
1228
1229
1230
1231
1232
1233
1234
1235



1236
1237
1238
1239
1240
1241
1242
1243
1244
1245
1246
1247
1248
1249
1250
1251
1252
1253
1254
1255
1256
1257
1258
1259
1260
1261
1262
1263
1264
1265
1266
1267
1268
1269
1270

REVISIONS				
NO.	BY	DATE	CKD	REMARKS
0	AFH	2/02/2021	TH	SUBMITTAL
1	AFH	2/03/2021	TH	CONSTRUCTION
1.1	RJK	07/30/2021	XX	CONSTRUCTION - ADDITIONAL COMPRESSORS, RLA CHANGES
1.2	MT	08/02/2021	XX	CONSTRUCTION - ADDITIONAL COMPRESSORS, RLA CHANGES

1301
1302
1303
1304
1305
1306
1307
1308
1309
1310
1311
1312
1313
1314
1315
1316
1317
1318
1319
1320
1321
1322
1323
1324
1325
1326
1327
1328
1329
1330
1331
1332
1333
1334
1335



TO EXP2 (1401)

SUPPLY FAN #1
SPEED
(0-10VDC)

SUPPLY FAN #2
SPEED
(0-10VDC)

REACT FAN #1
SPEED
(0-10VDC)

REACT FAN #2
SPEED
(0-10VDC)

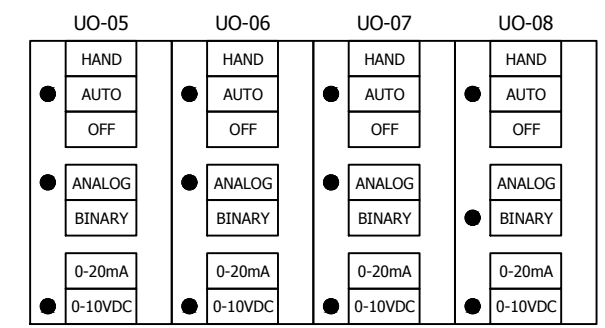
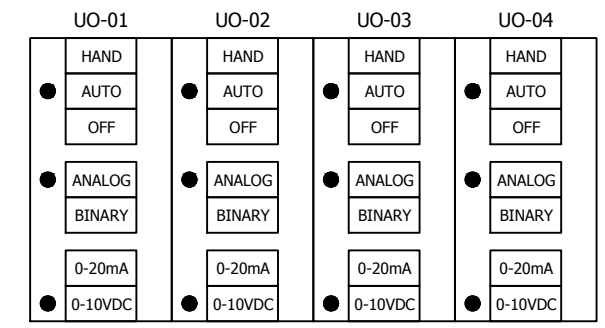
PRE-CONDENSER FAN #1
SPEED
(0-10VDC)

PRE-CONDENSER FAN #2
SPEED
(0-10VDC)

SPACE HEATER
MODULATION
(0-10VDC)

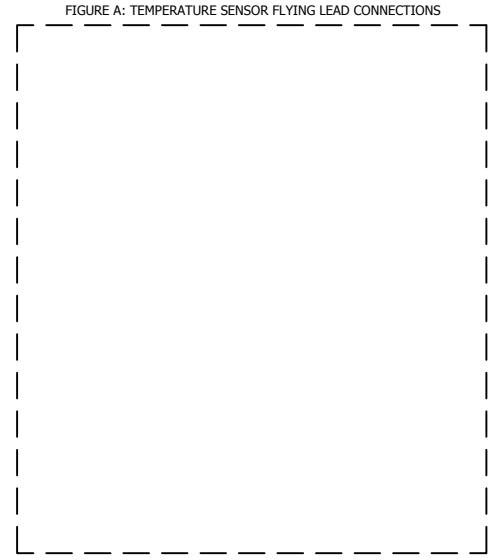
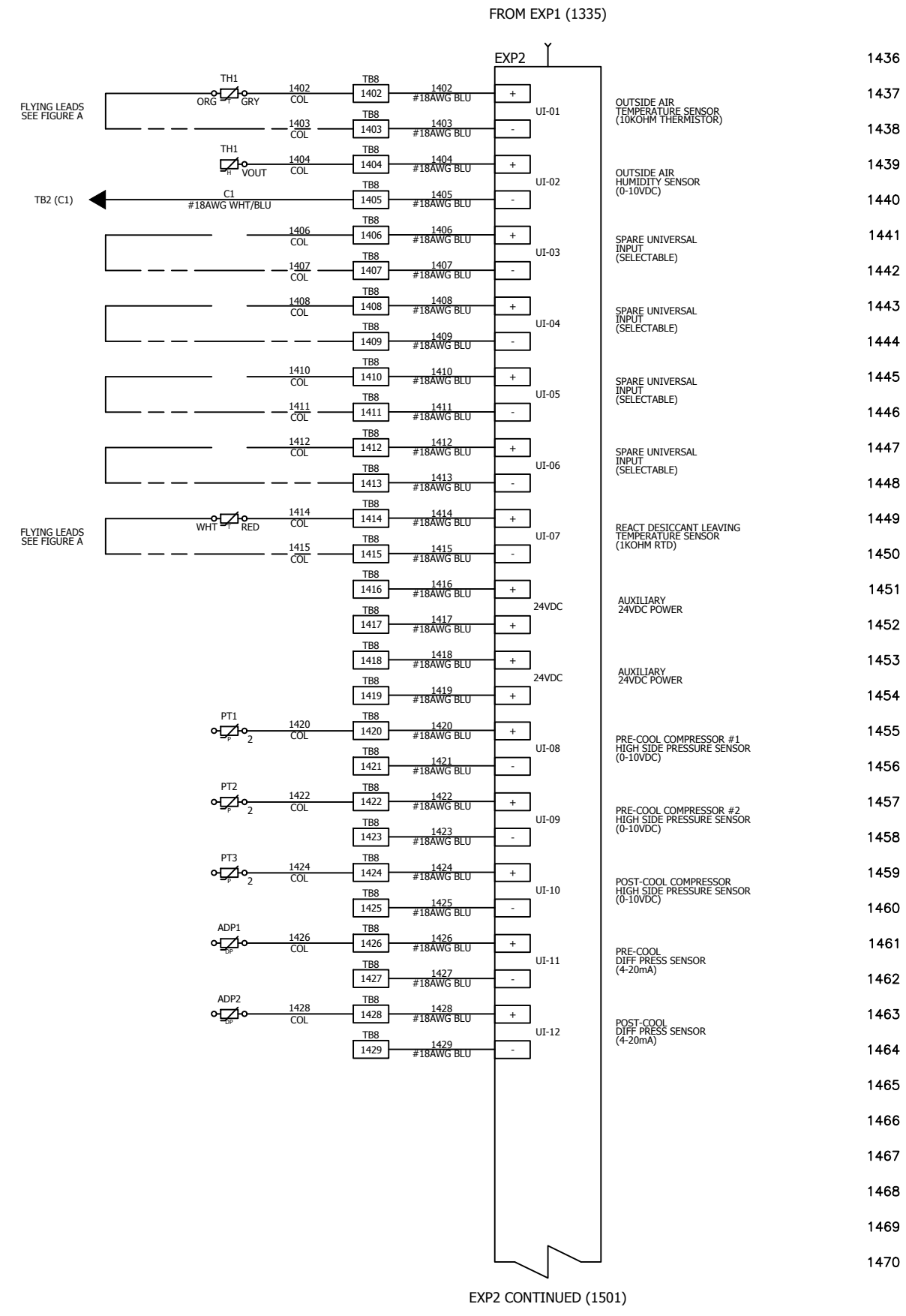
SPARE UNIVERSAL
OUTPUT
(SELECTABLE)

1336
1337
1338
1339
1340
1341
1342
1343
1344
1345
1346
1347
1348
1349
1350
1351
1352
1353
1354
1355
1356
1357
1358
1359
1360
1361
1362
1363
1364
1365
1366
1367
1368
1369
1370



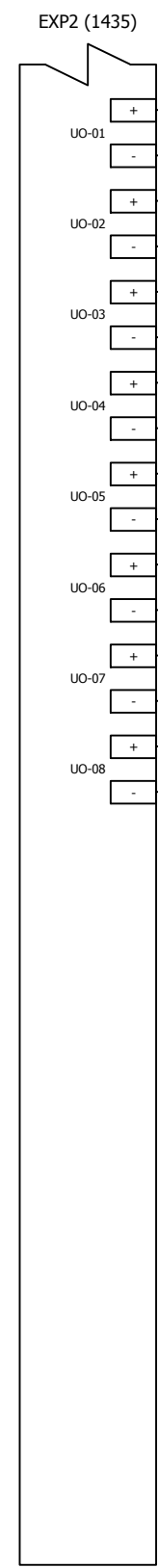
REVISIONS				
NO.	BY	DATE	CKD	REMARKS
0	AFH	2/02/2021	TH	SUBMITTAL
1	AFH	2/03/2021	TH	CONSTRUCTION
1.1	RJK	07/30/2021	XX	CONSTRUCTION - ADDITIONAL COMPRESSORS, RLA CHANGES
1.2	MT	08/02/2021	XX	CONSTRUCTION - ADDITIONAL COMPRESSORS, RLA CHANGES

1401
1402
1403
1404
1405
1406
1407
1408
1409
1410
1411
1412
1413
1414
1415
1416
1417
1418
1419
1420
1421
1422
1423
1424
1425
1426
1427
1428
1429
1430
1431
1432
1433
1434
1435



REVISIONS				
NO.	BY	DATE	CKD	REMARKS
0	AFH	2/02/2021	TH	SUBMITTAL
1	AFH	2/03/2021	TH	CONSTRUCTION
1.1	RJK	07/30/2021	XX	CONSTRUCTION - ADDITIONAL COMPRESSORS, RLA CHANGES
1.2	MT	08/02/2021	XX	CONSTRUCTION - ADDITIONAL COMPRESSORS, RLA CHANGES

1501
1502
1503
1504
1505
1506
1507
1508
1509
1510
1511
1512
1513
1514
1515
1516
1517
1518
1519
1520
1521
1522
1523
1524
1525
1526
1527
1528
1529
1530
1531
1532
1533
1534
1535



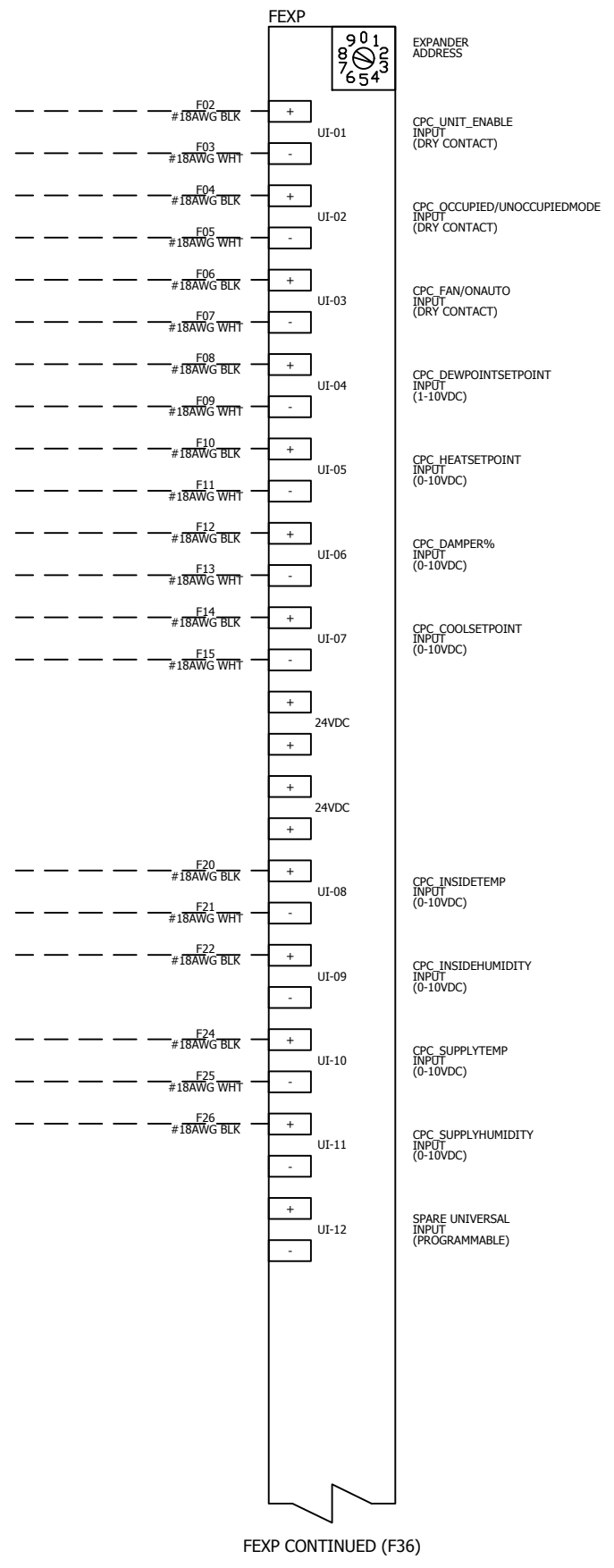
OUTSIDE AIR DAMPER POSITION (0-10VDC)
PRE-COOL DAMPER #1 DAMPER POSITION (0-10VDC)
PRE-COOL DAMPER #2 DAMPER POSITION (0-10VDC)
POST-COOL DAMPER DAMPER POSITION (0-10VDC)
SPARE UNIVERSAL OUTPUT (SELECTABLE)
SPARE UNIVERSAL OUTPUT (SELECTABLE)
SPARE UNIVERSAL OUTPUT (SELECTABLE)
SPARE UNIVERSAL OUTPUT (SELECTABLE)

1536
1537
1538
1539
1540
1541
1542
1543
1544
1545
1546
1547
1548
1549
1550
1551
1552
1553
1554
1555
1556
1557
1558
1559
1560
1561
1562
1563
1564
1565
1566
1567
1568
1569
1570

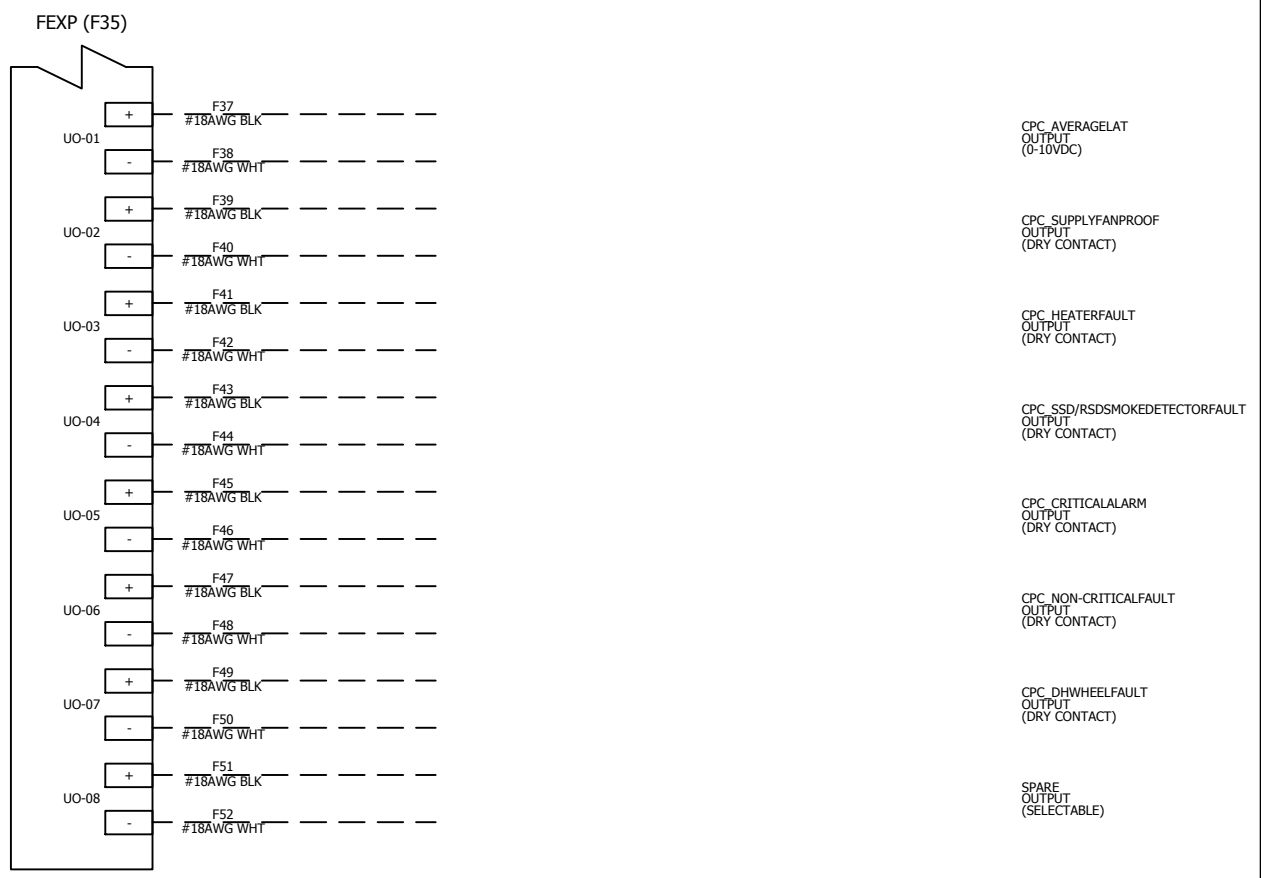
UO-01	UO-02	UO-03	UO-04
HAND	HAND	HAND	HAND
AUTO	AUTO	AUTO	AUTO
OFF	OFF	OFF	OFF
ANALOG	ANALOG	ANALOG	ANALOG
BINARY	BINARY	BINARY	BINARY
0-20mA	0-20mA	0-20mA	0-20mA
0-10VDC	0-10VDC	0-10VDC	0-10VDC

UO-05	UO-06	UO-07	UO-08
HAND	HAND	HAND	HAND
AUTO	AUTO	AUTO	AUTO
OFF	OFF	OFF	OFF
ANALOG	ANALOG	ANALOG	ANALOG
BINARY	BINARY	BINARY	BINARY
0-20mA	0-20mA	0-20mA	0-20mA
0-10VDC	0-10VDC	0-10VDC	0-10VDC

REVISIONS				
NO.	BY	DATE	CKD	REMARKS
0	AFH	2/02/2021	TH	SUBMITTAL
1	AFH	2/03/2021	TH	CONSTRUCTION
1.1	RJK	07/30/2021	XX	CONSTRUCTION - ADDITIONAL COMPRESSORS, RLA CHANGES
1.2	MT	08/02/2021	XX	CONSTRUCTION - ADDITIONAL COMPRESSORS, RLA CHANGES



FEXP CONTINUED (F36)

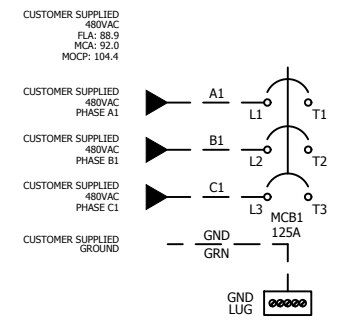


UO-01	UO-02	UO-03	UO-04
HAND	HAND	HAND	HAND
<input checked="" type="radio"/> AUTO	<input checked="" type="radio"/> AUTO	<input checked="" type="radio"/> AUTO	<input checked="" type="radio"/> AUTO
OFF	OFF	OFF	OFF
<input checked="" type="radio"/> ANALOG	<input type="radio"/> ANALOG	<input checked="" type="radio"/> ANALOG	<input checked="" type="radio"/> ANALOG
BINARY	<input checked="" type="radio"/> BINARY	<input checked="" type="radio"/> BINARY	<input checked="" type="radio"/> BINARY
0-20mA	0-20mA	0-20mA	0-20mA
<input checked="" type="radio"/> 0-10VDC	<input checked="" type="radio"/> 0-10VDC	<input checked="" type="radio"/> 0-10VDC	<input checked="" type="radio"/> 0-10VDC

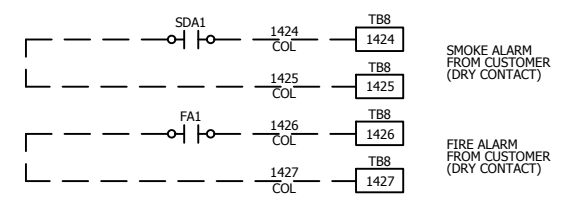
UO-05	UO-06	UO-07	UO-08
HAND	HAND	HAND	HAND
<input checked="" type="radio"/> AUTO	<input checked="" type="radio"/> AUTO	<input checked="" type="radio"/> AUTO	<input checked="" type="radio"/> AUTO
OFF	OFF	OFF	OFF
<input type="radio"/> ANALOG	<input checked="" type="radio"/> ANALOG	<input checked="" type="radio"/> ANALOG	<input checked="" type="radio"/> ANALOG
<input checked="" type="radio"/> BINARY	<input checked="" type="radio"/> BINARY	<input checked="" type="radio"/> BINARY	<input checked="" type="radio"/> BINARY
0-20mA	0-20mA	0-20mA	0-20mA
<input checked="" type="radio"/> 0-10VDC	<input checked="" type="radio"/> 0-10VDC	<input checked="" type="radio"/> 0-10VDC	<input checked="" type="radio"/> 0-10VDC

CUSTOMER FIELD CONNECTIONS

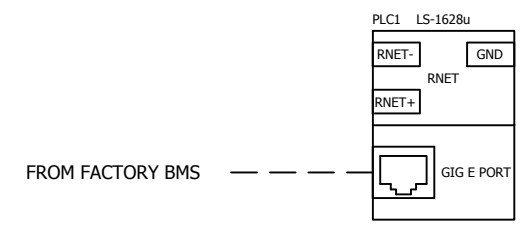
480VAC CONNECTIONS



I/O CONNECTIONS



COMMUNICATION CONNECTIONS



REVISIONS				
NO.	BY	DATE	CHKD	REMARKS
0	AFH	2/02/2021	TH	SUBMITTAL
1	AFH	2/03/2021	TH	CONSTRUCTION
1.1	RJK	07/30/2021	XX	CONSTRUCTION - ADDITIONAL COMPRESSORS, RLA CHANGES
1.2	MT	08/02/2021	XX	CONSTRUCTION - ADDITIONAL COMPRESSORS, RLA CHANGES